

## Extension cords with interference suppression filter ARMY AFP AFR and overvoltage protection to 16 A

### Description:

**SKY1FL16DAFP10SDF5A** is a 6-socket extension cord with overvoltage protection and interference suppression filter for each socket, supplemented with a high-attenuation interference filter. This connection of two devices is fixed on one aluminium desk and they form one complex. The extension cord and connection between the sockets and filter is made by a shielded triple-core 2m long cable.

**SKY1FL16DAFP10SDF3A** is a 6-socket extension cord with overvoltage protection and interference suppression filter for each socket, supplemented with high-attenuation interference filter. This connection of two devices is fixed on one aluminium desk and they form one complex. The extension cord and connection between the sockets and filter is made by a shielded triple-core 3m long cable.

**SKY1FL16DAFP10SDF5A** is a 6-socket extension cord with overvoltage protection and interference suppression filter for each socket, supplemented with high-attenuation interference filter. This connection of two devices is fixed on one aluminium desk and they form one complex. The extension cord and connection between the sockets and filter is made by a shielded triple-core 5m long cable.

**SKY1FL16DAFR10SDF5A** is a 5-socket extension cord with overvoltage protection and interference suppression filter for each socket, supplemented with high-attenuation interference filter. This connection of two devices forms one complex. The extension cord and connection between the sockets and filter is made by a shielded triple-core cable (its length is 2 m).

**SKY1FL16DAFR10SDF3A** is a 5-socket extension cord with overvoltage protection and interference suppression filter for each socket, supplemented with high-attenuation interference filter. This connection of two devices forms one complex. The extension cord and connection between the sockets and filter is made by a shielded triple-core cable (its length is 3 m).

**SKY1FL16DAFR10SDF5A** is a 5-socket extension cord with overvoltage protection and interference suppression filter for each socket, supplemented with high-attenuation interference filter. This connection of two devices forms one complex. The extension cord and connection between the sockets and filter is made by a shielded triple-core cable (its length is 5 m).



### TECHNICAL PARAMETERS:

**SKY1FL16DAFP10SDF5A**  
 Nominal operating voltage                      Un : 230 Vac  
 Extent of operating currents                      In : 16A

### TECHNICAL PARAMETERS:

**SKY1FL16DAFP10SDF3A**  
 Nominal operating voltage                      Un : 230 Vac  
 Extent of operating currents                      In : 16A

### TECHNICAL PARAMETERS:

**SKY1FL16DAFP10SDF5A**  
 Nominal operating voltage                      Un : 230 Vac  
 Extent of operating currents                      In : 16A



### TECHNICAL PARAMETERS:

**SKY1FL16DAFR10SDF5A**  
 Nominal operating voltage                      Un : 230 Vac  
 Extent of operating currents                      In : 16A

### TECHNICAL PARAMETERS:

**SKY1FL16DAFR10SDF3A**  
 Nominal operating voltage                      Un : 230 Vac  
 Extent of operating currents                      In : 16A

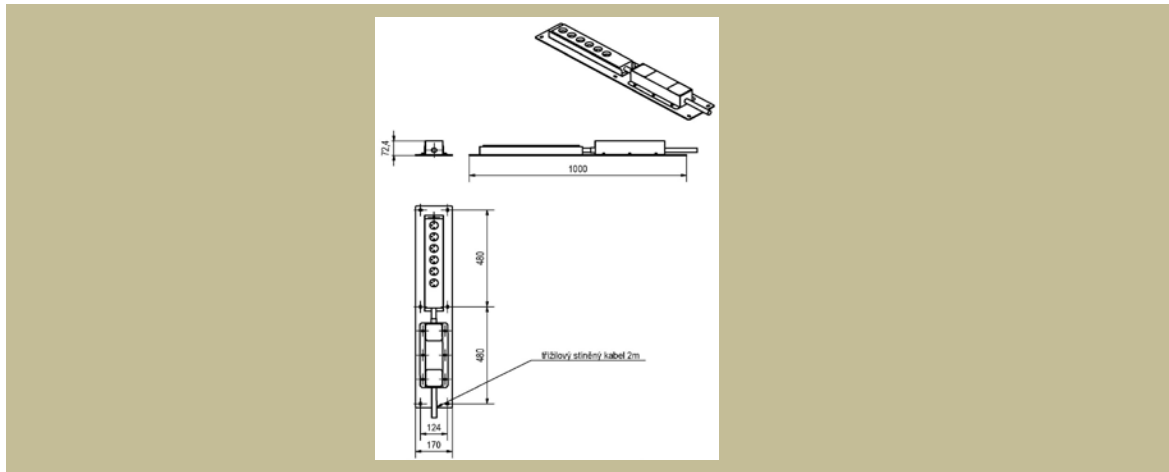
### TECHNICAL PARAMETERS:

**SKY1FL16DAFR10SDF5A**  
 Nominal operating voltage                      Un : 230 Vac  
 Extent of operating currents                      In : 16A

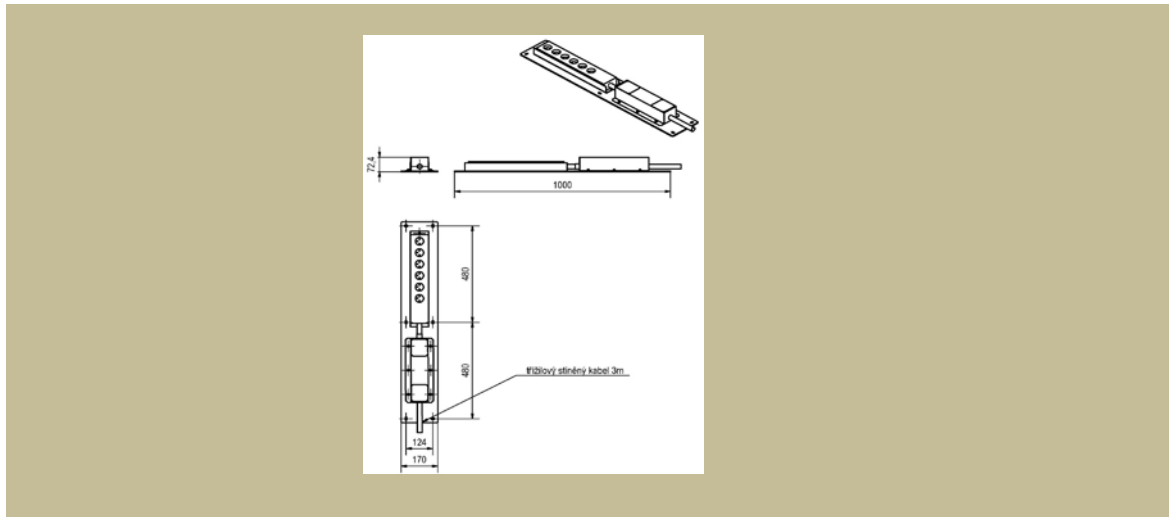
| Type                | Nominal current [A] | Inductance ±20% [mH] | Weight [kg] | Conductor cross section [mm 2] | basic dimensions [mm] |        |       |       |       |       |
|---------------------|---------------------|----------------------|-------------|--------------------------------|-----------------------|--------|-------|-------|-------|-------|
|                     |                     |                      |             |                                | length                | height | width | pitch | pitch | other |
| SKY1FL16DAFP10SDF5A | 16                  | -                    | 6           | 3x1,5                          | 1000                  | 72,4   | 170   | 124   | 960   | -     |
| SKY1FL16DAFP10SDF3A | 16                  | -                    | 6           | 3x1,5                          | 1000                  | 72,4   | 170   | 124   | 960   | -     |
| SKY1FL16DAFP10SDF5A | 16                  | -                    | 6           | 3x1,5                          | 1000                  | 72,4   | 170   | 124   | 960   | -     |
| SKY1FL16DAFR10SDF5A | 16                  | -                    | 6           | 3x1,5                          | 1000                  | 72,4   | 170   | 124   | 960   | -     |
| SKY1FL16DAFR10SDF3A | 16                  | -                    | 6           | 3x1,5                          | 1450                  | 68,4   | 129   | 465   | 76    | -     |
| SKY1FL16DAFR10SDF5A | 16                  | -                    | 6           | 3x1,5                          | 1750                  | 68,4   | 129   | 465   | 76    | -     |

\* After a deal there is a possibility of modification of the extension cord construction according to the customer's request.

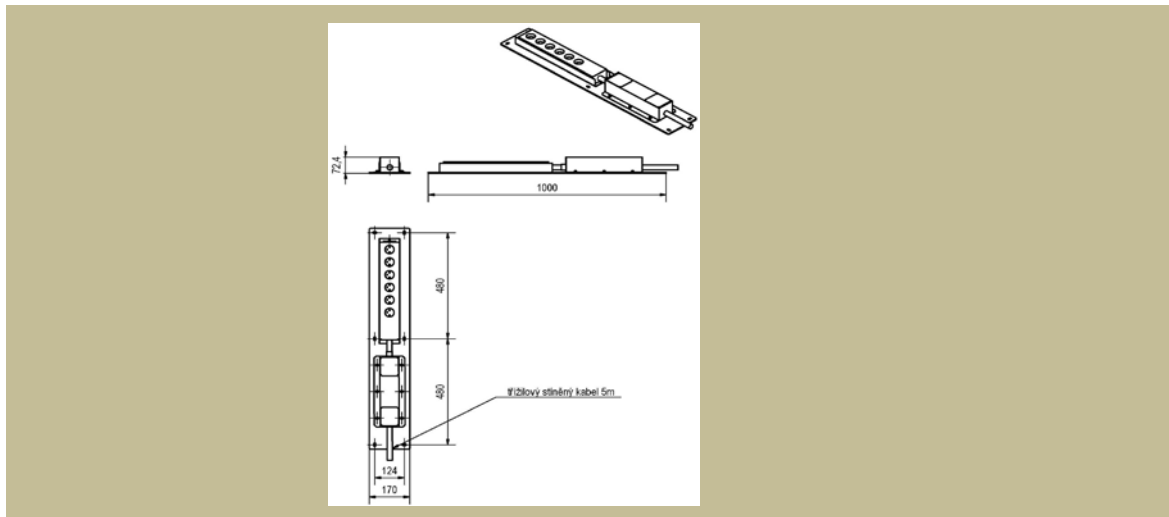
**Dimensional drawing : SKY1FL16DAFP10SDF A**



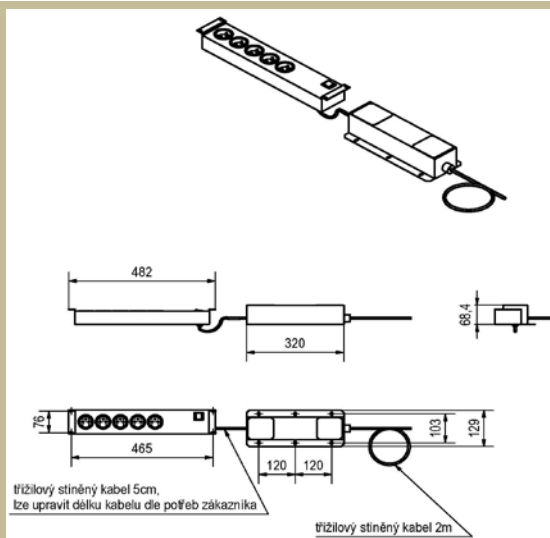
**Dimensional drawing : SKY1FL16DAFP10SDF3A**



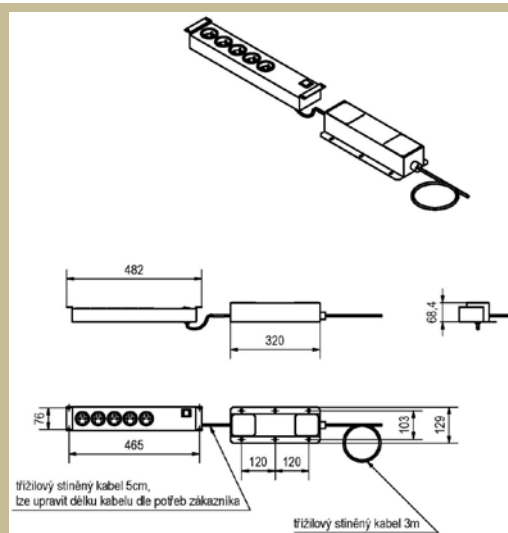
**Dimensional drawing : SKY1FL16DAFP10SDF5A**



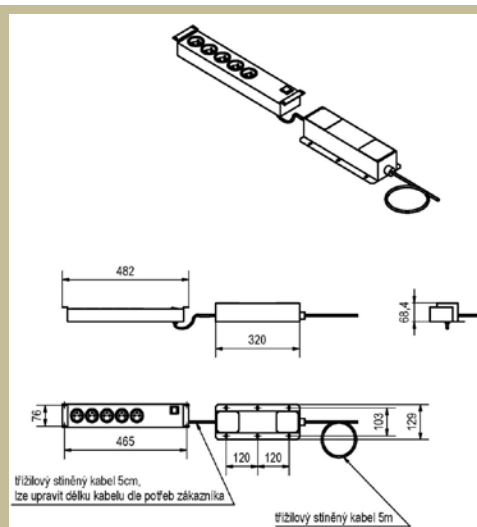
**Dimensional drawing : SKY1FL16DAFR10SDF A**



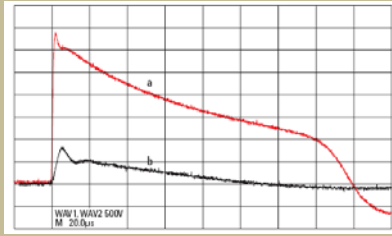
**Dimensional drawing : SKY1FL16DAFR10SDF3A**



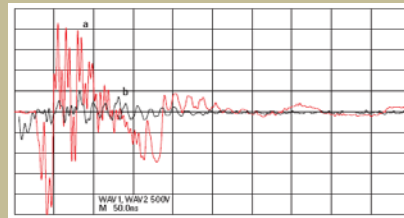
**Dimensional drawing : SKY1FL16DAFR10SDF5A**



### Diagram of protection:



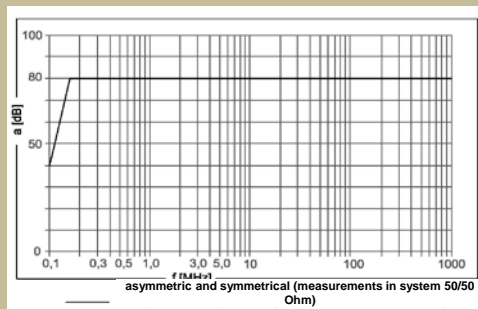
The diagram illustrates the amplitude reduction of impulse wave leading into the input of extension cord.  
Shape of impulse wave according to standard ČSN EN 61000-4-5 (a) had amplitude 3,5 kV. The amplitude of the impulse wave at the receptacle outlets was 800 V (b).  
Time axis of the diagram is 20  $\mu$ s / piece.



The diagram illustrates the reduction of rapid voltage pulses (switching overvoltage), which are led into the input of the extension cord.  
Input signal had amplitude 2,5 kV (a), in the output the oscillation amplitude was max. 600 V (b).  
Time axis of the diagram is 50 ns / piece.

### Attenuation characteristics:

SKY1FL16DAFP10SDFA, SKY1FL16DAFP10SDF3A, SKY1FL16DAFP10SDF5A  
SKY1FL16DAFR10SDFA, SKY1FL16DAFR10SDF3A, SKY1FL16DAFR10SDF5A



### Use:

The protected interference suppression extension cords are intended as protection from disturbance of line voltage. They are used for voltage distribution for sensitive and expensive electronic equipment, computer and audio technology and special military purposes.  
**The whole set is designed and checked so that it could meet military technical requirements and requirements of National Security Authority.**

### Note:

Green coloured indicator signals undisturbed condition of the surge voltage protector. The indicator is red when the surge voltage protector is damaged because of excessive surge current stress (in case of overvoltage in supply system, for example in case of close-up strike). The extension cord is able to operate in this condition but in time the overvoltage protection is automatically eliminated. Therefore we recommend this damaged extension cord send to the producer for exchange of the surge voltage arrester as soon as possible.