

Single-phase surge voltage protectors with interference suppression filter

STL series

Description:

Surge voltage protectors with interference suppression filter **SKYSFL10**, **SKYSFL16** are intended for protection from the effects of impulse overvoltage and radio-frequency interference incoming along LV line. They function as overvoltage protection of type D.



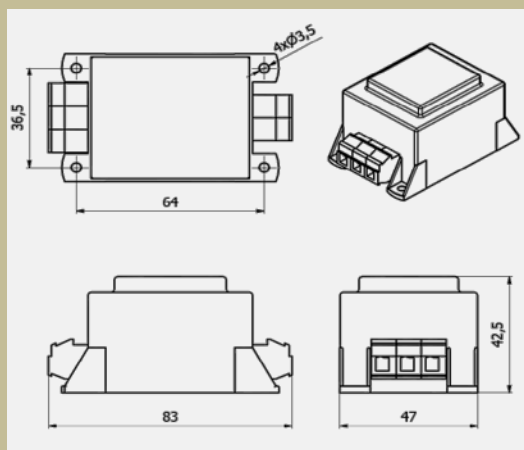
TECHNICAL PARAMETERS:

Nominal operating voltage	230 Vac
Extent of operating frequencies f_n (for In)	50-60 Hz
Extent of operating currents	3A
Nominal impulse current 8/20 μ s	6,5 kA
Protection class: IP20	
Extent of operating temperature: -25°C + 40°C	

Type	Nominal current [A]	Nominal impulse current [kA]	Weight [kg]	basic dimensions [mm]					
				A	B	C	D	E	F
				length	height	width	pitch	pitch	other
SKYSTL10	3	6,5	0,2	83	43	47	64	36,5	-

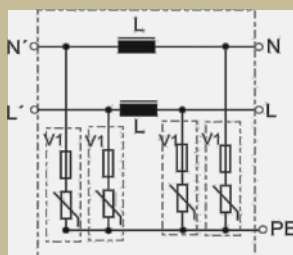
* After a deal there is a possibility of modification of the filter construction according to the customer's request.

Dimensional drawing : SKYSTL10



Wiring diagram :

SKYSTL10



Use:

It is designed for an assembly into switchboards or straight into the appliance

Dimensioning, wiring:

They are dimensioned according to the indicated label nominal voltage and current values. Short-circuit protection must not exceed nominal current value. When connecting it is necessary to meet the EMC requirements. There must not be any paralleling of interference-suppressed and non-interference-suppressed circuits. The grounding connections must be as short as possible.

Výrobce si vyhrazuje právo na změnu specifikací a vzhledu produktů bez předchozího upozornění.
