

Single-phase interference suppression filters, type TZS

MP series

Description:

SKY2FL50C-MP is a radio frequency single-phase interference suppression filter with high attenuation. Low pass filter is created by multiple combination of inductance L and condensers C. The low pass filter restricts radio frequency interference which is spread back to a feed array and also it increases interference resistance of the device coming from this feed array. Thanks to that a device life is prolonged.



TECHNICAL PARAMETERS:

Nominal operating voltage
 Extent of operating frequencies f_n (for I_n)
 Extent of operating currents
 Short-term overcurrent capacity : 50% I_n
 Thermal class : B
 Protection class : IP67
 Extent of operating temperature : $-10^\circ\text{C} + 40^\circ\text{C}$

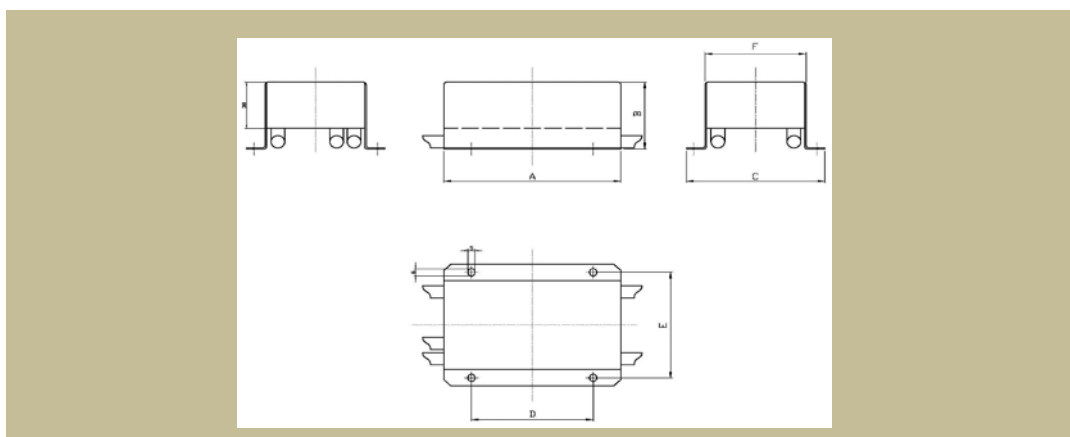
Un: 230Vac
 Fn: 50-60 Hz
 In: 50A

Type	Nominal current [A]	Leakage current 1*) [mA]	Weight [kg]	Conductor cross section [mm ²]	basic dimensions [mm]					
					A	B	C	D	E	F
					length	height	width	pitch	pitch	other
SKY2FL50C-MP	50	< 30	1,3	radox10mm ²	128	55	100	88	87	73

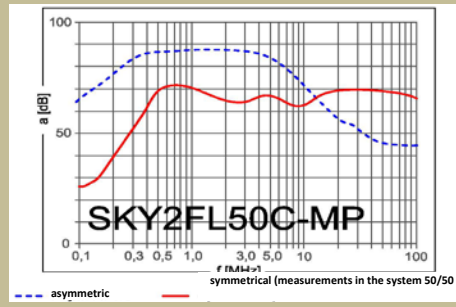
* After a deal there is a possibility of modification of the filter construction according to the customer's request.

1*) Leakage current measurement was performed according to the standard ČSN EN 60950.

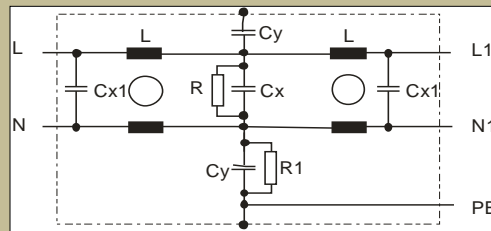
Dimensional drawing:



Attenuation characteristic:



Wiring diagram of SKY2FL50C-MP



Use:

It is used for frequency inverters in exacting surroundings for high protection and vibrations.