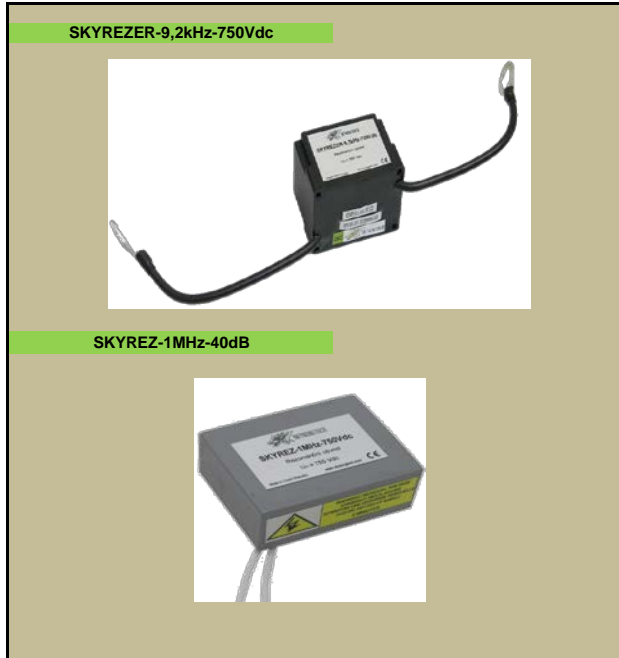


Single-phase interference suppression filters, type TZS REZER series

Description:

SKYREZER-9,2kHz-750Vdc a SKYREZ-1MHz-40dB are resonance LC circuit



TECHNICAL PARAMETERS:

Nominal operating voltage Un: 750 Vdc
 Short-term overcurrent capacity : 50% In
 Thermal class : B
 Extent of operating temperature : -10°C + 40°C

TECHNICAL PARAMETERS:

Nominal operating voltage Un: 750 Vdc
 Short-term overcurrent capacity : 50% In
 Thermal class : B
 Extent of operating temperature : -10°C + 40°C

Type	Nominal current [A]	Leakage current 1*) [mA]	Weight [kg]	Conductor cross section [mm 2]	basic dimensions [mm]					
					A	B	C	D	E	F
					length	height	width	pitch	pitch	other
SKYREZER-9,2kHz-750Vdc	750	8	0,2	M8	53	45	44	47	36,5	-
SKYREZ-1MHz-40dB	750	-	0,2	oko Ø 10,5	53	30	44	47	36,5	-

* After a deal there is a possibility of modification of the filter construction according to the customer's request.

1*) Leakage current measurement was performed according to the standard ČSN EN 60950.

Dimensional drawing:

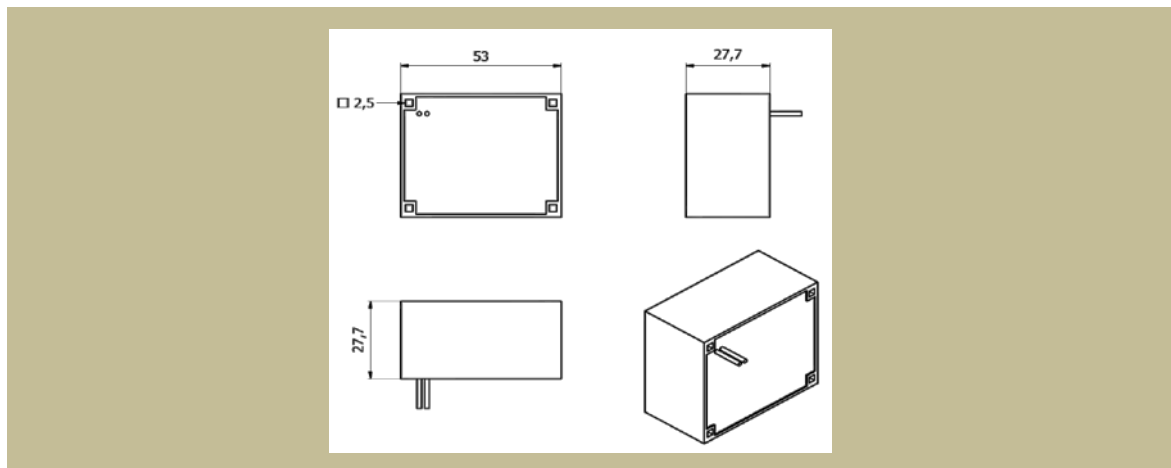
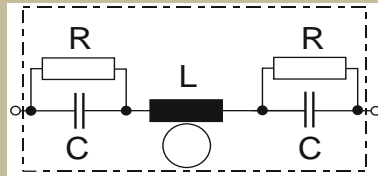


Diagram:



Použití :

It is used to frequency converters and appliances which need supplemental interference suppression. For example: soft starters, pulse resources, thyristor controls and electronic units.
The filters are designed and engineered into a traction container.
