

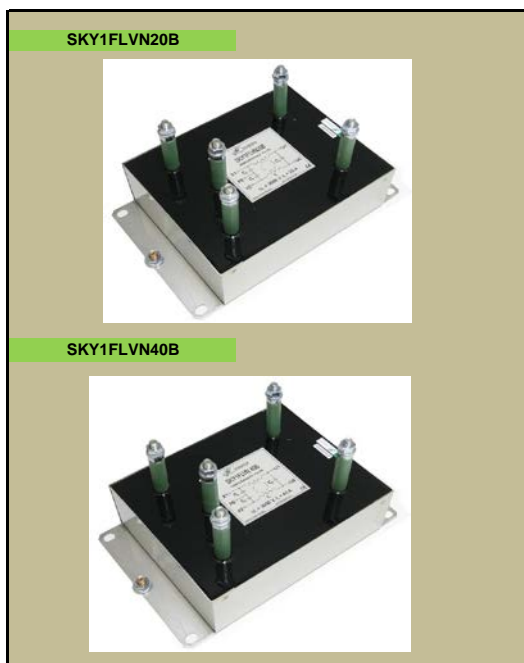
Single-phase interference suppression filters, type TZS

VN series

Description:

SKY1FLVN20B is a single-phase high-voltage radio-frequency interference suppression filter.

SKY1FLVN40B is a single-phase high-voltage radio-frequency interference suppression filter.



TECHNICAL PARAMETERS:

Nominal operating voltage Un: 3000Vdc
 Extent of operating currents In: 20A
 Short-term overcurrent capacity : 50% In
 Thermal class : B
 Protection class : IP00
 Extent of operating temperature : -10°C + 40°C

TECHNICAL PARAMETERS:

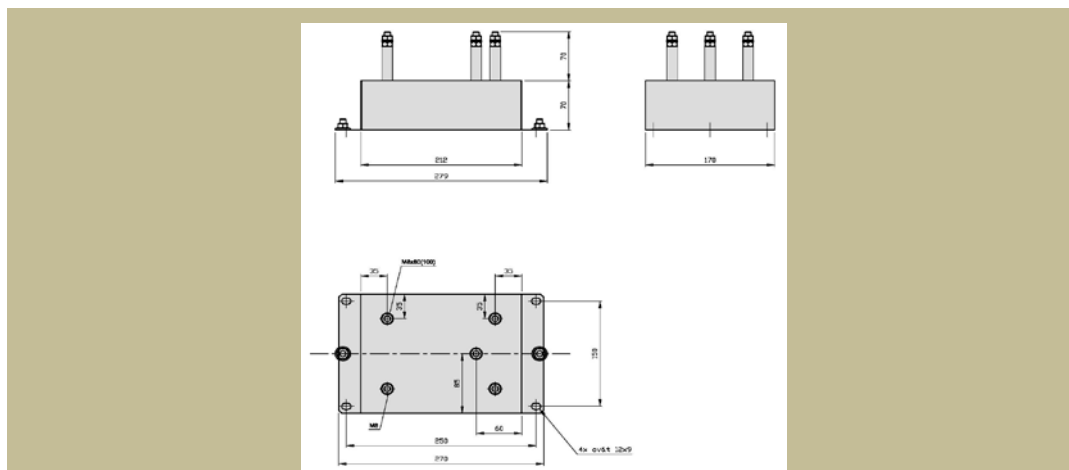
Nominal operating voltage Un: 3000Vdc
 Extent of operating currents In: 40A
 Short-term overcurrent capacity : 50% In
 Thermal class : B
 Protection class : IP00
 Extent of operating temperature : -10°C + 40°C

Type	Nominal current [A]	Leakage current 1*) [mA]	Weight [kg]	Conductor cross section [mm 2]	basic dimensions [mm]					
					A	B	C	D	E	F
					length	height	width	pitch	pitch	other
SKY1FLVN20B	20	-	5	M8	279	140	170	250	150	-
SKY1FLVN40B	40	-	5	M8	279	140	170	250	150	-

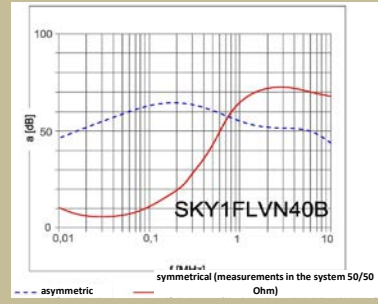
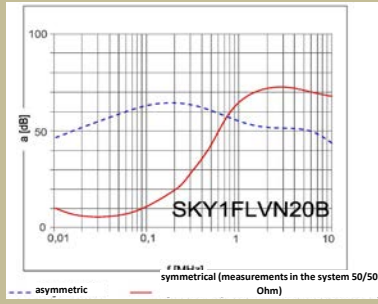
* After a deal there is a possibility of modification of the filter construction according to the customer's request.

1*) Leakage current measurement was performed according to the standard ČSN EN 60950.

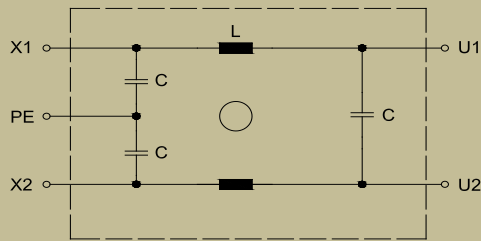
Dimensional drawing:



Attenuation characteristic:



Wiring diagram : SKY1FLVN20-40B



Use:

The interference suppression filters **SKY1FLVN20B** and **SKY1FLVN40B** are intended for rectifier station 3000Vdc.