

Three-phase interference suppression filters Tzs series

Description:

3FL series are a radio frequency three-phase interference suppression filter with high attenuation. Low pass filter is created by multiple combination of inductance L and condensers C. The low pass filter restricts radio frequency interference which is spread back to a feed array and also it increases interference resistance of the device coming from this feed array.



TECHNICAL PARAMETERS:

SKY3FL6C-MP

Nominal operating voltage
 Extent of operating frequencies f_n (for In)
 Extent of operating currents
 Short-term overcurrent capacity : 50% In
 Thermal class : B
 Protection class : IP67
 Extent of operating temperature : $-10^{\circ}\text{C} + 40^{\circ}\text{C}$

Un: 3x230 / 400Vac
 Fn: 50-60 Hz
 In: 6A

TECHNICAL PARAMETERS:

SKY3FL18B-PL

Nominal operating voltage
 Extent of operating frequencies f_n (for In)
 Extent of operating currents
 Short-term overcurrent capacity : 50% In
 Thermal class : B
 Protection class : IP54
 Extent of operating temperature : $-10^{\circ}\text{C} + 40^{\circ}\text{C}$

Un: 3x230 / 400Vac
 Fn: 50-60 Hz
 In: 18A

TECHNICAL PARAMETERS:

SKY3FL25BN

Nominal operating voltage
 Extent of operating frequencies f_n (for In)
 Extent of operating currents
 Short-term overcurrent capacity : 50% In
 Thermal class : B
 Protection class : IP20
 Extent of operating temperature : $-10^{\circ}\text{C} + 40^{\circ}\text{C}$

Un: 3x230 / 400Vac
 Fn: 50-60 Hz
 In: 25 A

TECHNICAL PARAMETERS:

SKY3FL32TR

Nominal operating voltage
 Extent of operating frequencies f_n (for In)
 Extent of operating currents
 Short-term overcurrent capacity : 50% In
 Thermal class : B
 Protection class : IP20
 Extent of operating temperature : $0^{\circ}\text{C} + 40^{\circ}\text{C}$

Un: 3x230 / 400Vac
 Fn: 50-60 Hz
 In: 32 A

TECHNICAL PARAMETERS:

SKY3FL400-CPITIS

Nominal operating voltage
 Extent of operating frequencies f_n (for In)
 Extent of operating currents
 Short-term overcurrent capacity : 50% In
 Thermal class : B
 Protection class : IP00
 Extent of operating temperature : $0^{\circ}\text{C} + 40^{\circ}\text{C}$

Un: 3x500 Vac
 Fn: 50-60 Hz
 In: 400 A

TECHNICAL PARAMETERS:

SKY3FL6C-X

Nominal operating voltage
 Extent of operating frequencies f_n (for In)
 Extent of operating currents
 Short-term overcurrent capacity : 50% In
 Thermal class : B
 Protection class : IP20
 Extent of operating temperature : $0^{\circ}\text{C} + 40^{\circ}\text{C}$

Un: 3x230/400 Vac
 Fn: 50-60 Hz
 In: 6 A

TECHNICAL PARAMETERS:

SKY3FL80CP-rev.1-kryt

Nominal operating voltage
 Extent of operating frequencies f_n (for In)
 Extent of operating currents
 Short-term overcurrent capacity : 50% In
 Thermal class : B
 Protection class : IP44
 Extent of operating temperature : $0^{\circ}\text{C} + 40^{\circ}\text{C}$

Un: 3x230/400 Vac
 Fn: 50-60 Hz
 In: 80 A

TECHNICAL PARAMETERS:

SKY3FL2500BIT-690Vac

Nominal operating voltage
 Extent of operating frequencies f_n (for In)
 Extent of operating currents
 Short-term overcurrent capacity : 50% In
 Thermal class : B
 Protection class : IP00
 Extent of operating temperature : $0^{\circ}\text{C} + 40^{\circ}\text{C}$

Un: 3x690 Vac
 Fn: 50-60 Hz
 In: 2500 A



TECHNICAL PARAMETERS:

SKY3FL2500BIT

Nominal operating voltage
 Extent of operating frequencies f_n (for In)
 Extent of operating currents
 Short-term overcurrent capacity : 50% In
 Thermal class : B
 Protection class : IP00
 Extent of operating temperature : 0°C + 40°C

Un: 3x500 Vac
 Fn: 50-60 Hz
 In: 2500 A

TECHNICAL PARAMETERS:

SKY3FL25V-PA

Nominal operating voltage
 Extent of operating frequencies f_n (for In)
 Extent of operating currents
 Short-term overcurrent capacity : 50% In
 Thermal class : B
 Protection class : IP20
 Extent of operating temperature : -20°C + 60°C

Un: 3x200-240 / 3x380-400 Vac
 Fn: 50-60 Hz
 In: 25 A

TECHNICAL PARAMETERS:

SKY3FL10BIT

Nominal operating voltage
 Extent of operating frequencies f_n (for In)
 Extent of operating currents
 Short-term overcurrent capacity : 50% In
 Thermal class : B
 Protection class : IP20
 Extent of operating temperature : 0°C + 40°C

Un: 3x500Vac
 Fn: 50-60 Hz
 In: 10 A

TECHNICAL PARAMETERS:

SKY3FL80CP-500Vac-kryt

Nominal operating voltage
 Extent of operating frequencies f_n (for In)
 Extent of operating currents
 Short-term overcurrent capacity : 50% In
 Thermal class : B
 Protection class : IP44
 Extent of operating temperature : 0°C + 40°C

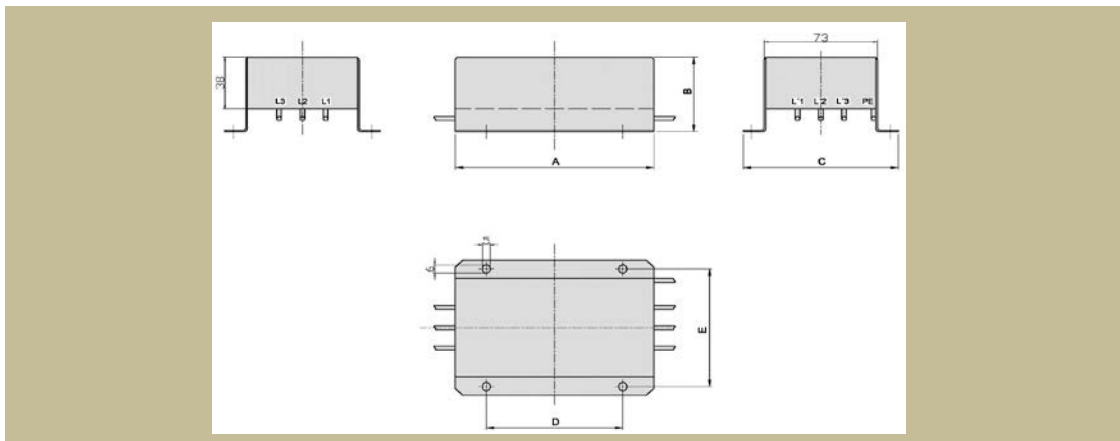
Un: 3x500Vac
 Fn: 50-60 Hz
 In: 80 A

Type	Nominal current [A]	Leakage current 1*) [mA]	Weight [kg]	Conductor cross section [mm ²]	basic dimensions [mm]				
					A	B	C	D	E
					length	height	width	pitch	pitch
SKY3FL6C-MP	6	< 14	1,2	radox1,5	128	55	100	88	87
SKY3FL18B-PL	18	< 30	1,2	CYA 2,5	112,5	71,5	59	97,5	32,5
SKY3FL25BN	25	< 80	1	4-6	150	55	98	88	83
SKY3FL32TR	32	-	2,5	6-10	172	125	109	150	65
SKY3FL400CPITIS	400	-	6	30x5 Ø11	395	61,5	202	332	138
SKY3FL6C-X	6	-	0,6	CYA 1	112,5	71,5	71	88	32,5
SKY3FL80CP-rev.1-kryt	80	< 35	3,2	20x3 Ø9	418	63,5	154	257	114
SKY3FL2500BIT-690Vac	2500	-	33	100x10 4x Ø13	500	180	347	2x100	307
SKY3FL2500BIT	2500	-	33	100x10 4x Ø13	500	180	347	2x100	307
SKY3FL25B-PA	25	< 16	1	CSA 4	133	87	84	115	40
SKY3FL10BIT	10	-	0,3	2,5	89	49	59	77,5	48
SKY3FL80CP-500Vac-kryt	80	< 35	3,2	20x3 Ø9	418	63,5	154	257	114

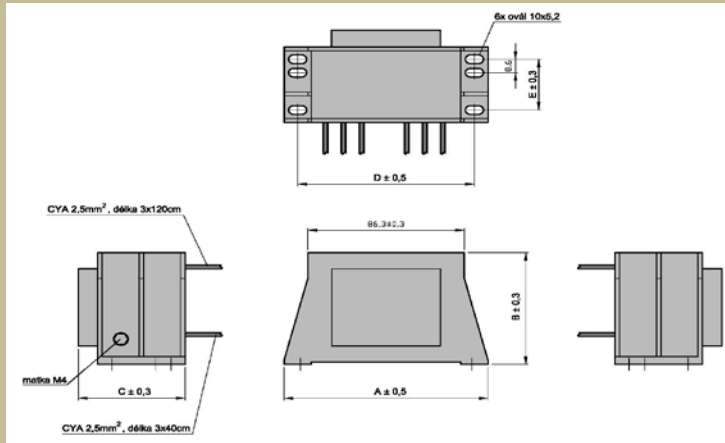
* After a deal there is a possibility of modification of the filter construction according to the customer's request.

1*) Leakage current measurement was performed according to the standard ČSN EN 60950.

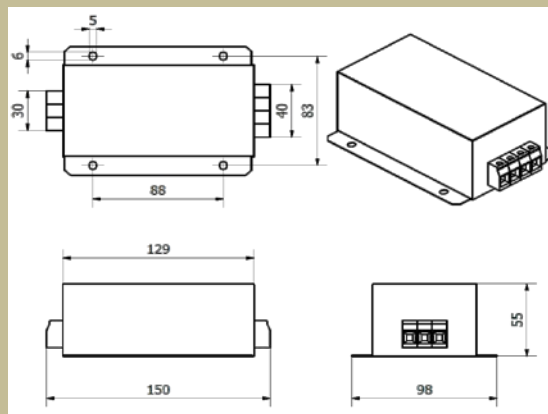
Dimensional drawing for : SKY3FL6C-MP



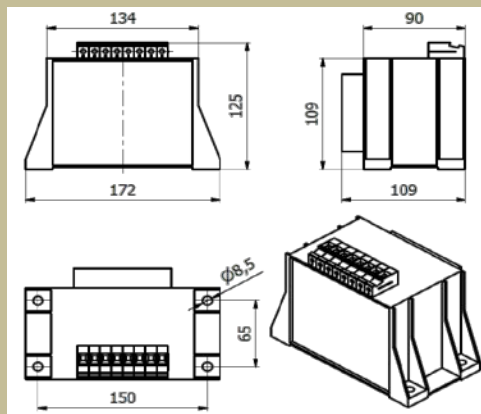
Dimensional drawing for : SKY3FL18B-PL



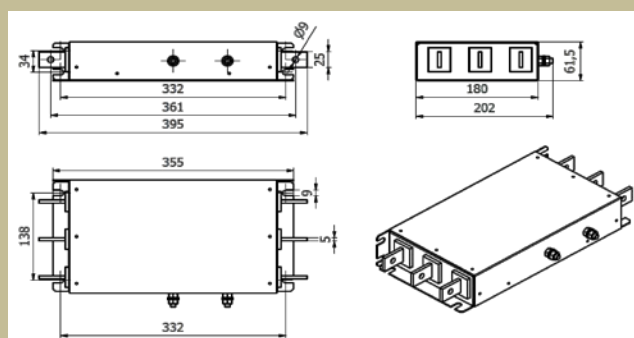
Dimensional drawing for : SKY3FL25BN



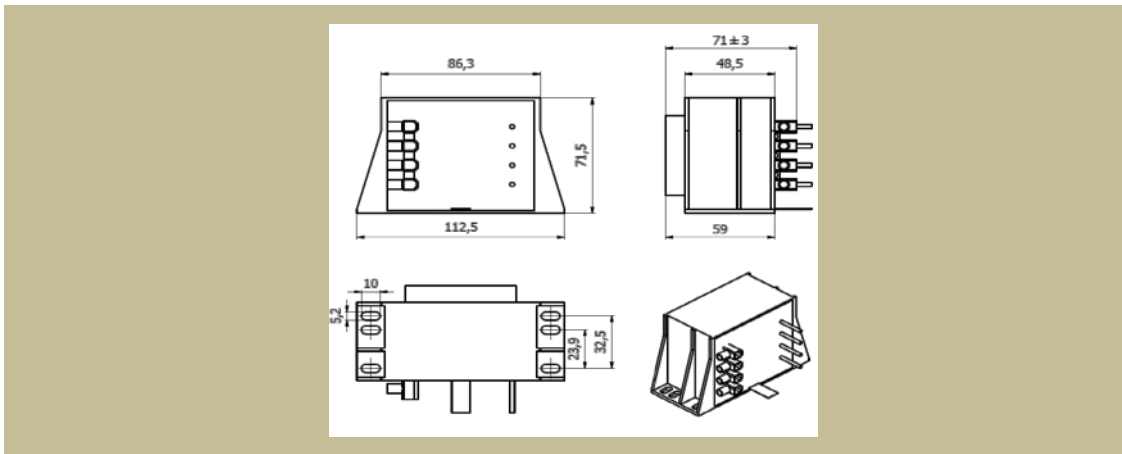
Dimensional drawing for : SKY3FL32TR



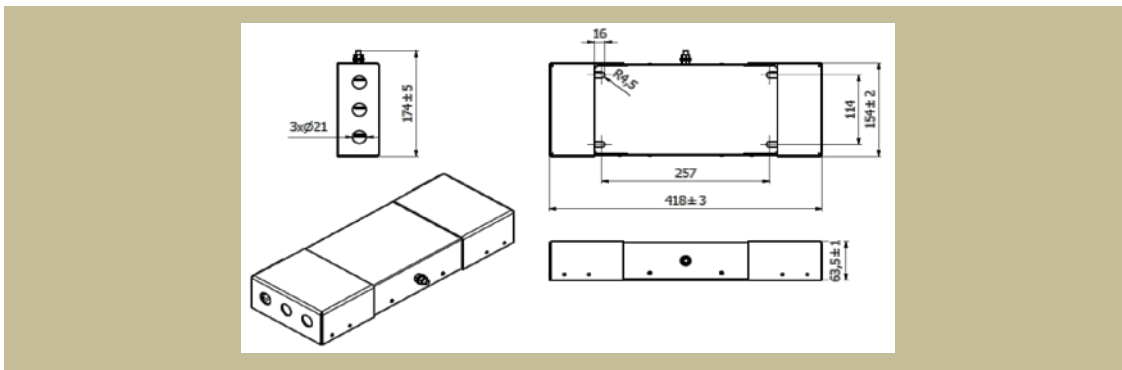
Dimensional drawing for : SKY3FL400CPITIS



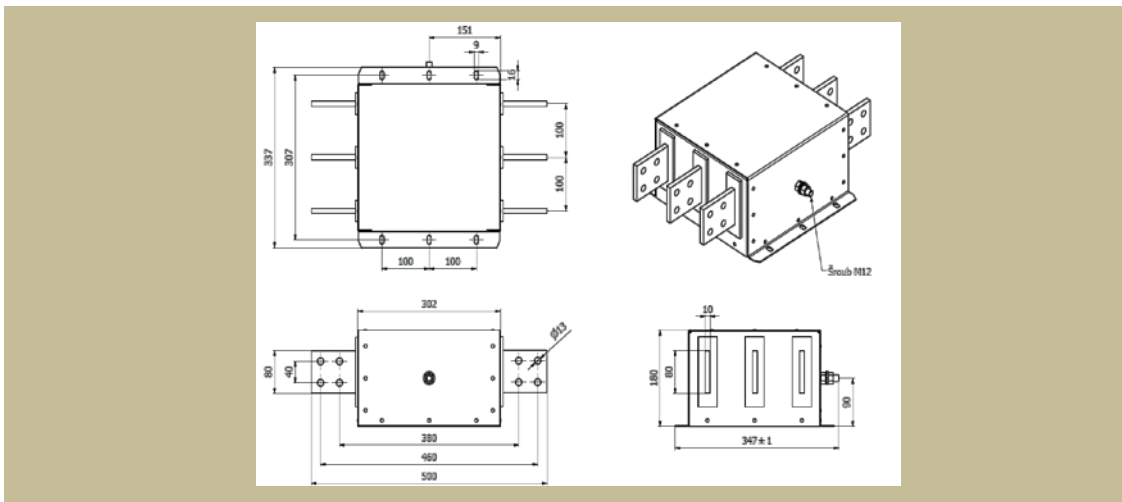
Dimensional drawing for : SKY3FL6C-X



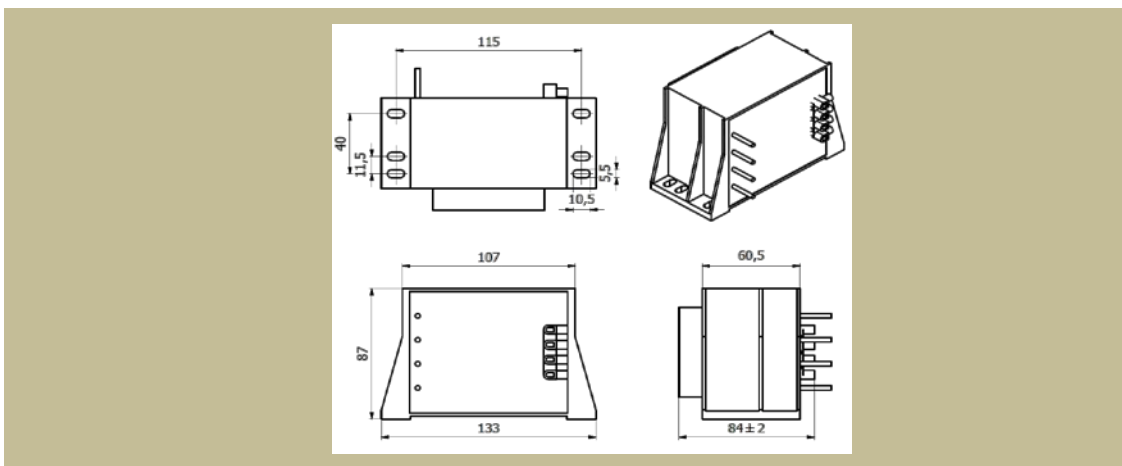
Dimensional drawing for : SKY3FL80CP-rev.1-kryt, SKY3FL80CP-500Vac-kryt



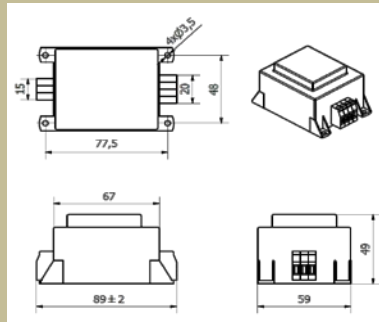
Dimensional drawing for : SKY3FL2500BIT, SKY3FL2500BIT-690Vac



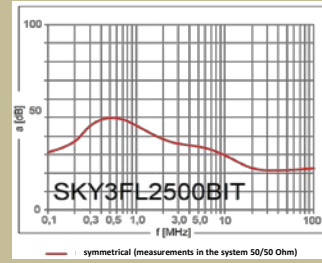
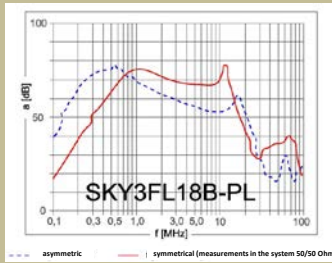
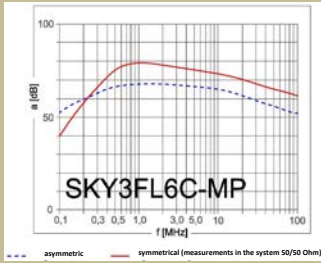
Dimensional drawing for : SKY3FL25B-PA



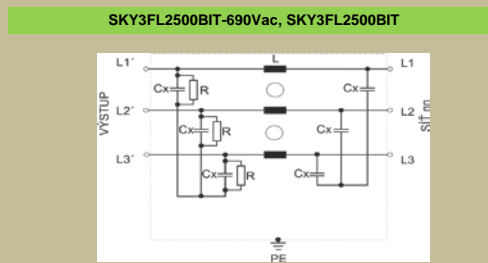
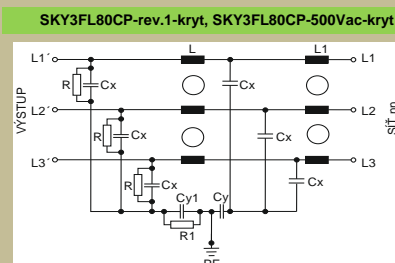
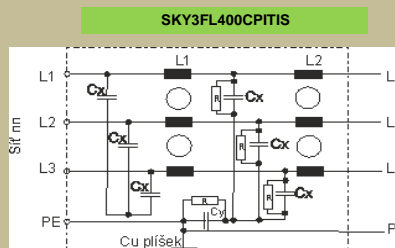
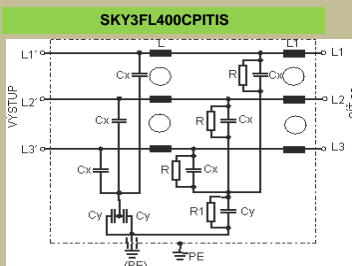
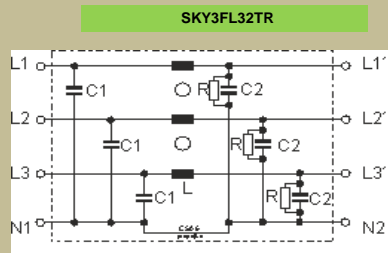
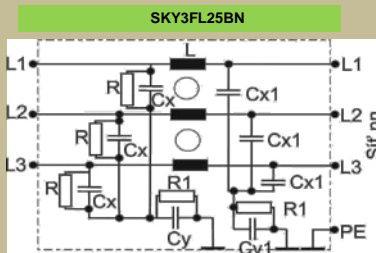
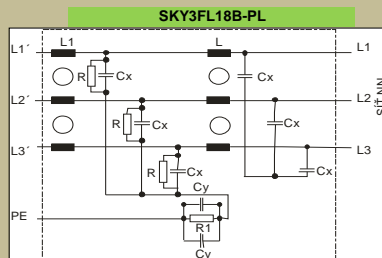
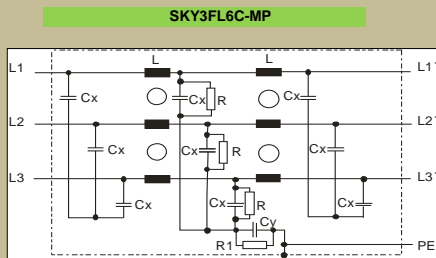
Dimensional drawing for : SKY3FL6C-X

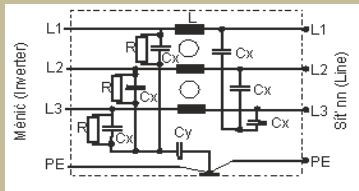
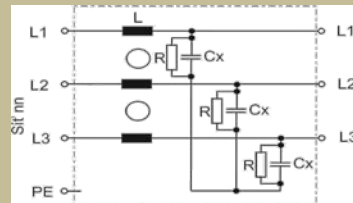


Attenuation characteristic:



Wiring diagram:



SKY3FL25B-PA**SKY3FL10BIT****Use:**

They are intended for frequency converters into exacting surroundings with vibrations for high protection.

Dimensioning, wiring:

They are dimensioned according to indicated label nominal voltage and current values. Short-circuit protection must not exceed nominal current value. When installing into switchboards it is necessary to count with power loss of the filters although it is not as large as the power loss in chokes or in sinusoidal filters. But also it is necessary to provide for sufficient heat removal.

When connecting it is necessary to meet the EMC requirements. There must not be any paralleling of interference-suppressed and non-interference-suppressed circuits. The grounding connections must be as short as possible.