

Single-phase and three-phase interference suppression filters with high protection three-phase series: C

Description:

SKY3F16C IP67, SKY3FL32B IP54, SKY3FL40B IP54, SKY3FL50B IP54 are radio frequency three-phase interference suppression filter with high attenuation and low leakage current. Low pass filter is created by combination of inductance L and condensers C. The low pass filter restricts radio frequency interference which is spread back to a feed array and also it increases interference resistance of the device coming from this feed array. Thanks to that a device life is prolonged. The EMC requirements of the relevant ČSN EN... standards can be met by the filter assembly. When connecting it is necessary to meet the EMC requirements for its proper function, i. e. as short PE connection as possible and to avoid paralleling of inlet and outlet from the filter.



TECHNICAL PARAMETERS SKY3F16C :

Nominal operating voltage	Un: 3x230/400Vac
Extent of operating frequencies fn (for In)	Fn: 50-60 Hz
Extent of operating currents	In: 16A
Short-term overcurrent capacity : 50% In	
Thermal class : B	
Protection class : IP67	
Extent of operating temperature : -10°C + 40°C	

TECHNICAL PARAMETERS SKY3F16Cs :

Nominal operating voltage	Un: 3x230/400Vac
Extent of operating frequencies fn (for In)	Fn: 50-60 Hz
Extent of operating currents	In: 16A
Short-term overcurrent capacity : 50% In	
Thermal class : B	
Protection class : IP67	
Extent of operating temperature : -10°C + 40°C	



TECHNICAL PARAMETERS SKY3FL32B IP54 :

Nominal operating voltage	Un: 3x230/400Vac
Extent of operating frequencies fn (for In)	Fn: 50-60 Hz
Extent of operating currents	In: 32A
Short-term overcurrent capacity : 50% In	
Thermal class : B	
Protection class : IP54	
Extent of operating temperature : -10°C + 40°C	



TECHNICAL PARAMETERS SKY3FL40B IP54 :

Nominal operating voltage	Un: 3x230/400Vac
Extent of operating frequencies fn (for In)	Fn: 50-60 Hz
Extent of operating currents	In: 40A
Short-term overcurrent capacity : 50% In	
Thermal class : B	
Protection class : IP54	
Extent of operating temperature : -10°C + 40°C	



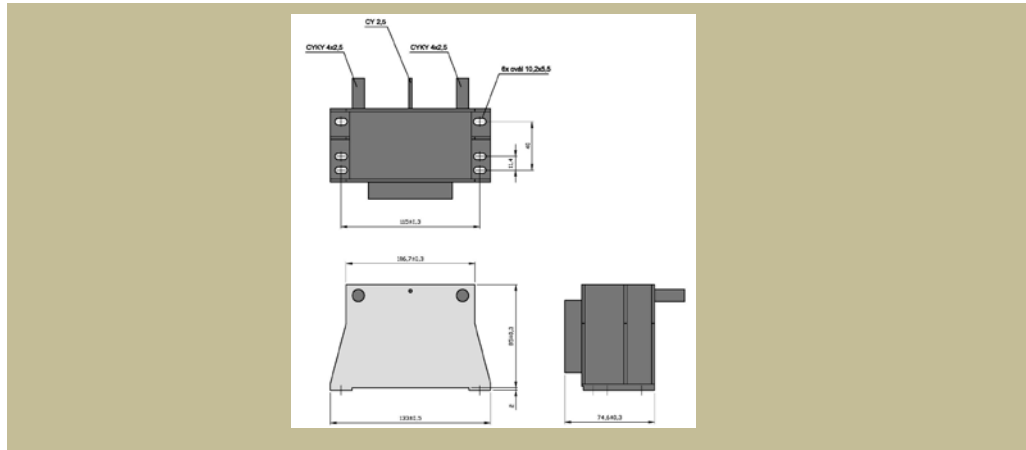
TECHNICAL PARAMETERS SKY3FL50B IP54 :

Nominal operating voltage	Un: 3x230/400Vac
Extent of operating frequencies fn (for In)	Fn: 50-60 Hz
Extent of operating currents	In: 50A
Short-term overcurrent capacity : 50% In	
Thermal class : B	
Protection class : IP54	
Extent of operating temperature : -10°C + 40°C	

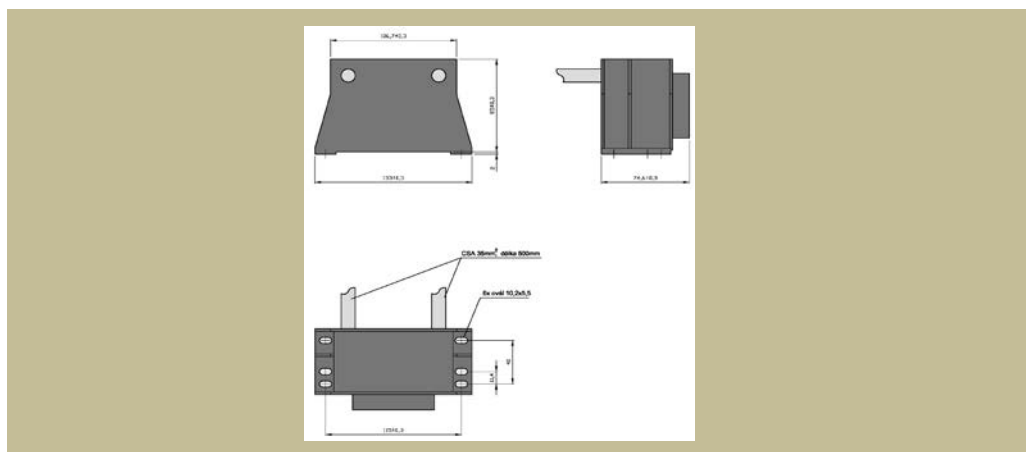
Type	Nominal current [A]	Leakage current 1*) [mA]	Weight [kg]	basic dimensions [mm]					
				A	B	C	D	E	F
				length	height	width	pitch	pitch	other
SKY3F16C IP67	16	< 7	1,6	133	85	75	115	40/11,4	-
SKY3FL32B IP54	32	< 80	1,1	133	85	75	115	40/11,4	-
SKY3FL40B IP54	40	< 80	1,1	133	85	75	115	40/11,4	-
SKY3FL50B IP54	50	< 80	1,1	133	85	75	115	40/11,4	-

* After a deal there is a possibility of modification of the filter construction according to the customer's request.
 1*) Leakage current measurement was performed according to the standard ČSN EN 60950.

Dimensional drawing : SKY3F16C IP67



Dimensional drawing : SKY3FL32B IP54 , SKY3FL40B IP54 , SKY3FL50B IP54



Attenuation characteristic:

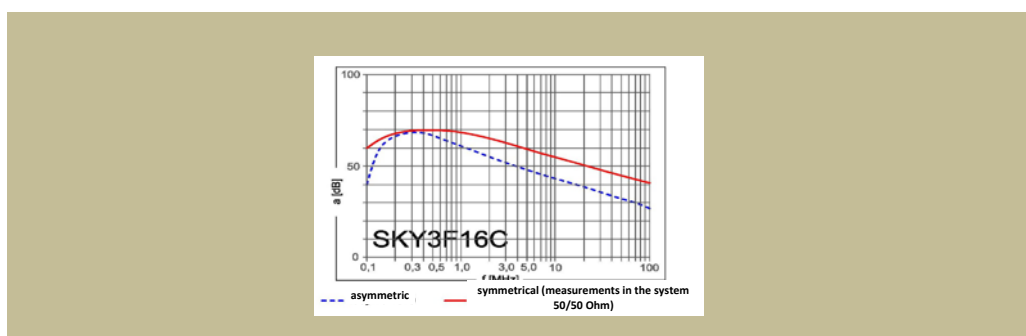
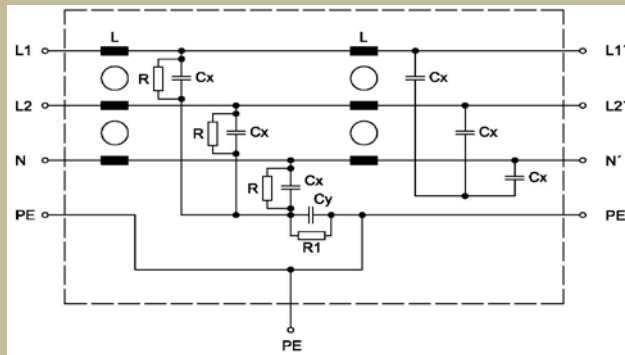
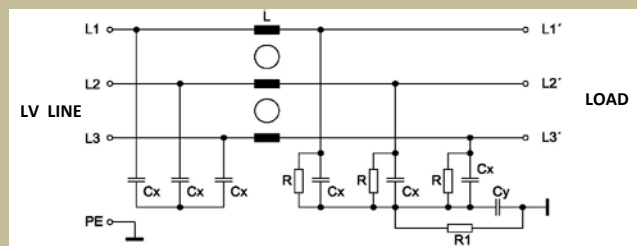


Diagram:

SKY3F16C and SKY3F16Cs



SKY3FL32B IP54 , SKY3FL40B IP54 , SKY3FL50B IP54



Use:

Because of the high level of protection it is intended for exacting surroundings with high humidity and with possible vibrations.