

## Traction interference suppression filters

### series: 2MJ

#### Description:

SKY2MJ40, SKY2MJ70, SKY2MJ120, SKY2MJT25 are radio frequency interference suppression LC filters. Low pass filter is created by combination of inductance L and condensers C. The low pass filter restricts radio frequency interference. Their structure warrants high protection and considerable mechanical ruggedness. Inputs and outputs of the filters are led out by insulated conductors. Lengths of the conductors for each type are in the following table:



#### TECHNICAL PARAMETERS:

Nominal current	40A
Nominal voltage	750Vdc
Testing voltage (11+12) - 31	5kVdc

#### Lengths of individual conductors of the filter SKY2MJ40 (mm)

Name/type of conductor	11	12	31	21	22
SKY2MJ40R-rev.1 Radox 10mm <sup>2</sup>	130	130	300	400	400
SKY2MJ40RS-rev.1 CSA 6mm <sup>2</sup>	400	400	400	400	400
SKY2MJ40R-rev.2 Radox 10mm <sup>2</sup>	800	800	800	800	800
SKY2MJ40R+2 RADOX 10mm <sup>2</sup> , 6 mm <sup>2</sup>	600	600	600	600	600



#### TECHNICAL PARAMETERS:

Nominal current	70A
Nominal voltage	750Vdc
Testing voltage (11+12) - 31	5kVdc

#### Lengths of individual conductors of the filter SKY2MJ70 (mm)

Name/type of conductor	11	12	31	21	22
SKY2MJ70R-rev.1 Radox 16mm <sup>2</sup>	500	500	M8x16	500	500
SKY2MJ70 a-rev.1 Radox 16mm <sup>2</sup>	600	600	M8x16	2000	2000



#### TECHNICAL PARAMETERS:

Nominal current	120A
Nominal voltage	750Vdc
Testing voltage (22+21+31) - PE/2s	5kVdc

#### Lengths of individual conductors of the filter SKY2MJ120 (mm)

Name/type of conductor	11	12	31	21	22
SKY2MJ120R-rev.1 Radox 4GKW 25mm <sup>2</sup>	500	500	500	500	500
SKY2MJ120RM-rev.1 Radox 4GKW 25mm <sup>2</sup>	500	500	500	500	500



**TECHNICAL PARAMETERS:**

Nominal current 25A  
 Nominal voltage 750Vdc

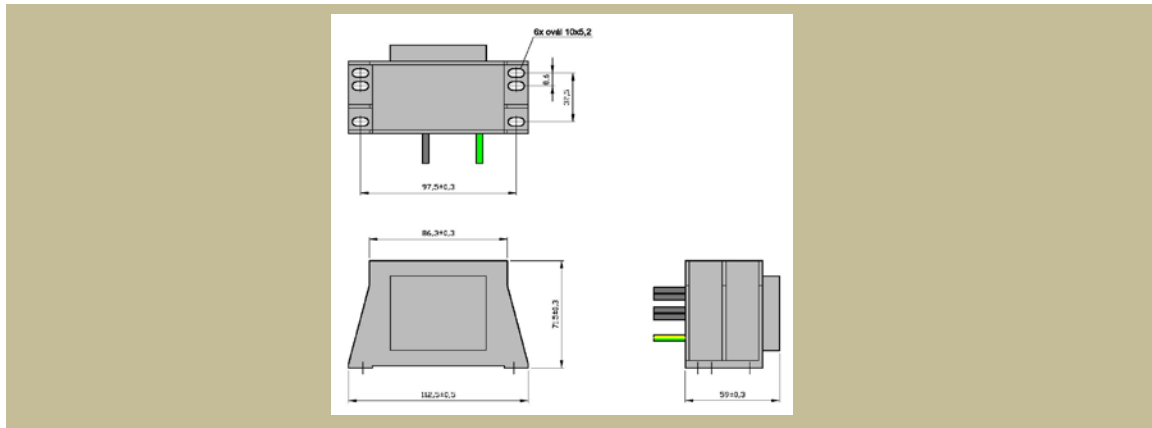
Testing voltage (22+21+31) - PE/2s 5kVdc  
 Surrounding temperature from -40°C to +60°C

**Lengths of individual conductors of the filter SKY2MJ25 (mm)**

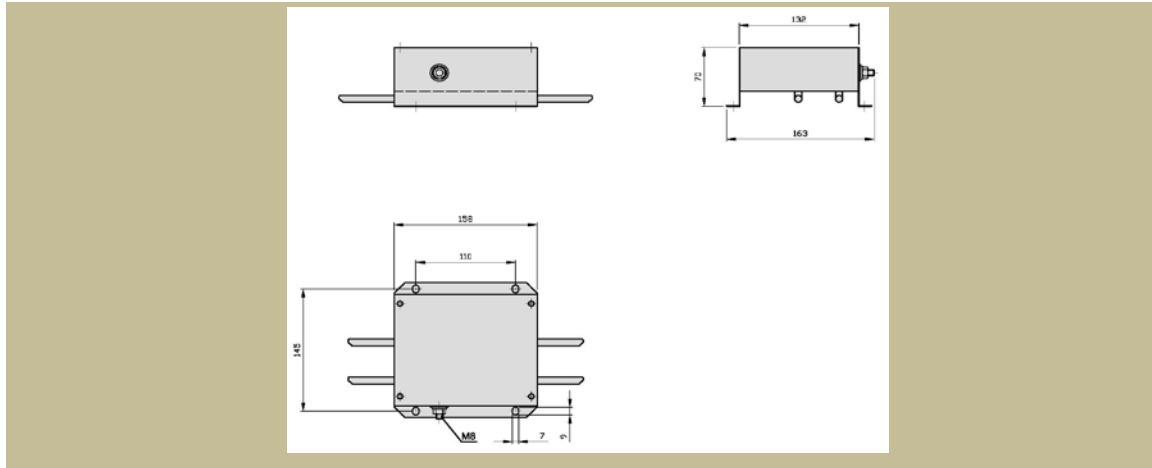
Name/type of conductor	11	12	31	21	22
SKY2MJT25 Radox 4mm <sup>2</sup>	140	140	450	100	100
SKY2MJT25_a Radox 4mm <sup>2</sup>	80	60	130	150	130

Type	Nominal current [A]	Leakage current 1*) [mA]	Weight [kg]	cross section [mm <sup>2</sup> ]	basic dimensions [mm]				
					length	height	width	pitch	pitch
SKY2MJ40	40	-	0,65	6	112,5	71,5	59	97,5	32,5
SKY2MJ70	70	-	2,80	16	163	70	158	110	145
SKY2MJ120	120	-	4,50	25	163	138	164	110	146
SKY2MJ25	25	-	0,65	4	112,5	71,5	59	97,5	32,5

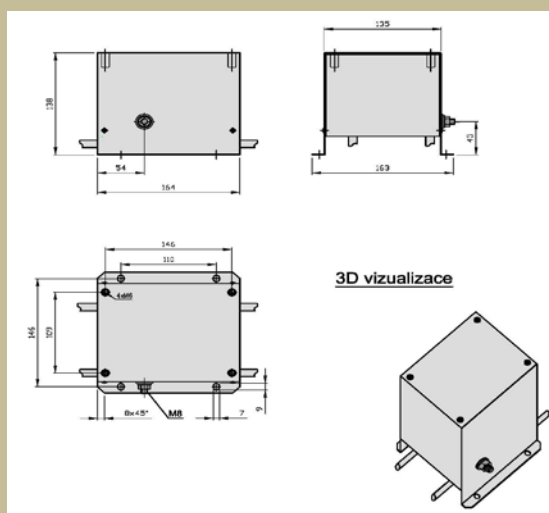
**Dimensional drawing : SKY2MJ40**



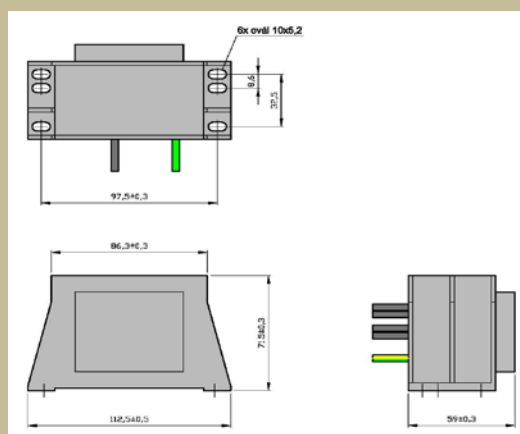
**Dimensional drawing: SKY2MJ70**



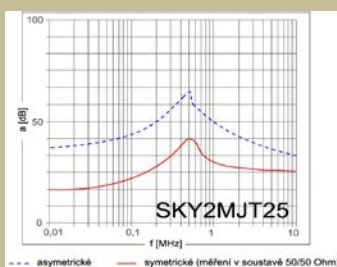
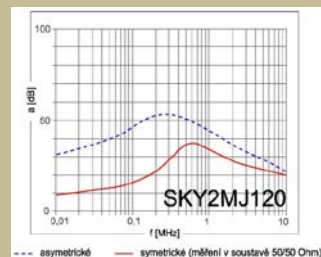
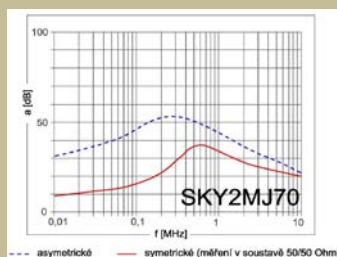
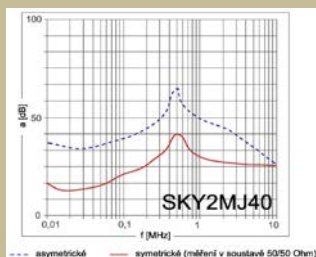
**Dimensional drawing: SKY2MJ120**



**Dimensional drawing: SKY2MJT25**

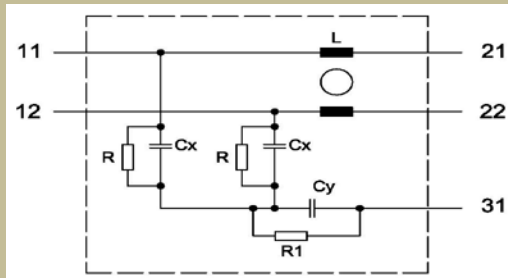


**Attenuation characteristic:**

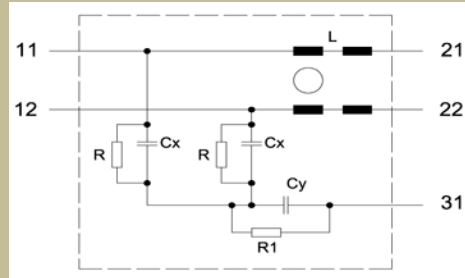


**Wiring diagram:**

SKY2MJ40R-rev.1, SKY2MJ40RS-rev.1, SKY2MJ40R-rev.2  
SKY2MJ40R+2, SKY2MJ70R-rev.1, SKY2MJ70R\_a-rev.1,  
SKY2MJ120R-rev.1, SKY2MJ120RM-rev.1, SKY2MJT25



SKY2MJT25\_a



**Service conditions:**

An expected life is 10 years minimally if the technical parameters are not exceeded and the service conditions are not breached. If damage, exceeding of technical parameters or breach of service conditions occurs, it will be necessary to review or repair the filter by the producer.

**Use:**

The filter is intended especially for traction but also for normal surroundings.