

## Traction interference suppression filters

### series: 3MJ

#### Description:

SKY3MJ10, SKY3MJ17, SKY3MJ50, SKY3MJ100 are radio frequency interference suppression LC filters. Low pass filter is created by combination of inductance L and condensers C. The low pass filter restricts radio frequency interference. The filter is intended especially for traction but also for normal surroundings. Their structure warrants high protection and considerable mechanical ruggedness. Inputs and outputs of the filters are led out by insulated conductors. Lengths of the conductors for each type are in the following table:



#### TECHNICAL PARAMETERS:

Nominal current **10A**  
 Nominal voltage **3x230/400V**  
 Testing voltage (U2+V2+W2) - PE **2,2kVdc**

Lengths of individual conductors of the filter SKY3MJ10 (m)

Name / type of the conductor	U1	V1	W2	PE	U2	V2	W2
SKY3MJ10R-rev.1 Radox 1,5mm <sup>2</sup>	1	1	1	1	1	1	1
SKY3MJ10R_a-rev.1 Radox 1,5mm <sup>2</sup>	0,5	0,5	0,5	0,5	1	1	1
SKY3MJ10R_b-rev.1 Radox 1,5mm <sup>2</sup>	0,5	0,5	0,5	0,5	0,5	0,5	0,5
SKY3MJ10R_c-rev.1 Radox 1,5mm <sup>2</sup>	0,4	0,4	0,4	2,3	0,4	0,4	0,4
SKY3MJ10R_d-rev.1 Radox 1,5mm <sup>2</sup>	2,3	2,3	2,3	2,3	2,3	2,3	2,3



#### TECHNICAL PARAMETERS:

Nominal current **17A**  
 Nominal voltage **3x230/400V**  
 Testing voltage (U2+V2+W2) - PE **2,2kVdc**

Lengths of individual conductors of the filter SKY3MJ17 (m)

Name / type of the conductor	U1	V1	W1	PE	U2	V2	W2
SKY3MJ17R-rev.1 Radox 4GKW 10mm <sup>2</sup>	1,57	1,57	1,57	1,57	1,57	1,57	1,57



#### TECHNICAL PARAMETERS:

Nominal current **120A**  
 Nominal voltage **750Vdc**  
 Testing voltage (22+21+31) - PE/2s **5kVdc**

Lengths of individual conductors of the filter SKY3MJ50 (m)

Name / type of the conductor	U1	V1	W1	PE	U2	V2	W2
SKY3MJ50R-rev.1 Radox 4GKW 10mm <sup>2</sup>	0,5	0,5	0,5	M8	0,5	0,5	0,5



#### TECHNICAL PARAMETERS:

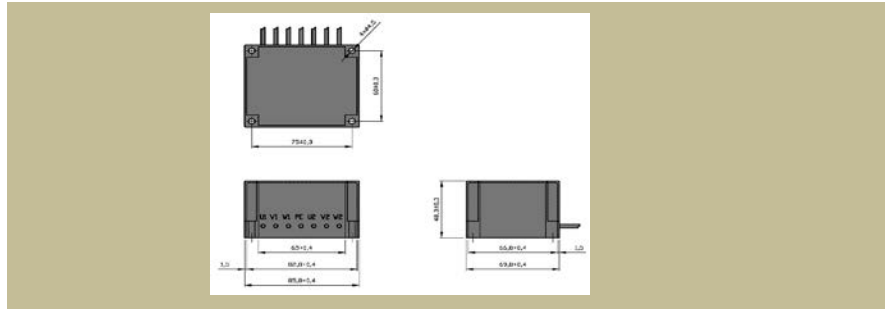
Nominal current **120A**  
 Nominal voltage **750Vdc**  
 Testing voltage (22+21+31) - PE/2s **5kVdc**

Lengths of individual conductors of the filter SKY3MJ100 (m)

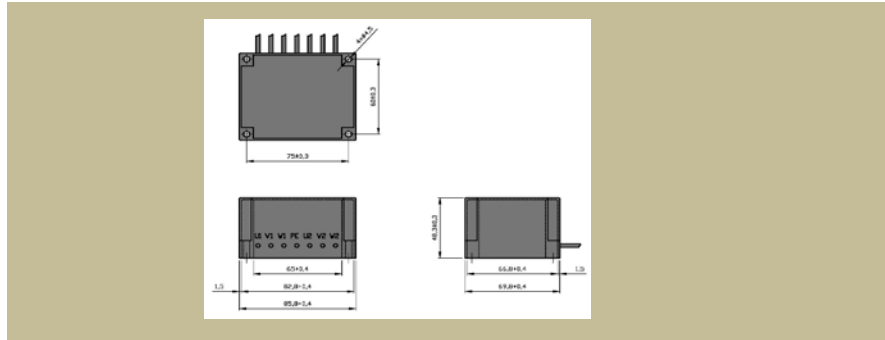
Name / type of the conductor	U1	V1	W1	PE	U2	V2	W2
SKY3MJ100R-rev.1 Radox 4GKW 10mm <sup>2</sup>	0,5	0,5	0,5	M8	0,5	0,5	0,5

Type	Nominal current [A]	Leakage current 1*) [mA]	Weight [kg]	Conductor cross section [mm <sup>2</sup> ]	basic dimensions [mm]				
					A	B	C	D	E
					length	height	width	pitch	pitch
SKY3MJ10	10	-	0,8	1,5	85,8	48,3	69,8	75	60
SKY3MJ17	17	-	0,8	10	85,8	48,3	69,8	75	60
SKY3MJ50	50	-	3,5	10	160	70	163	110	145
SKY3MJ100	100	-	3,5	10	164	138	163	110	146

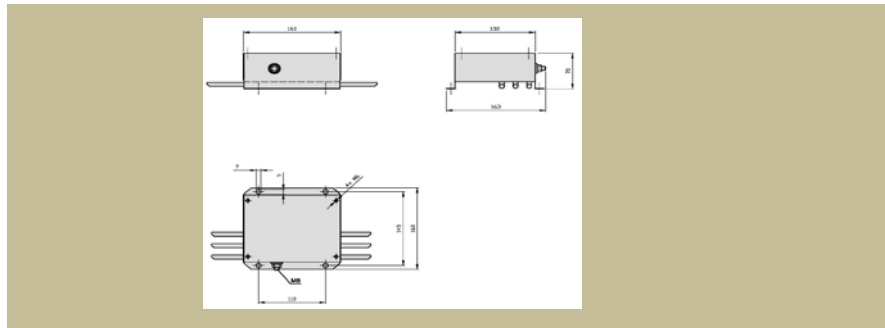
**Dimensional drawing : SKY3MJ10**



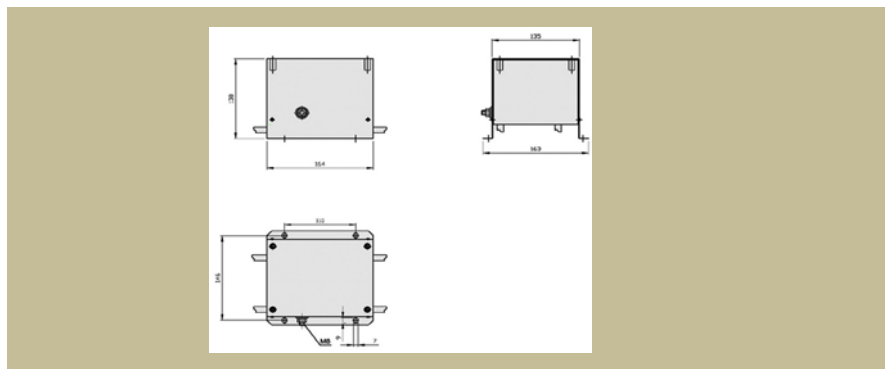
**Dimensional drawing : SKY3MJ17**



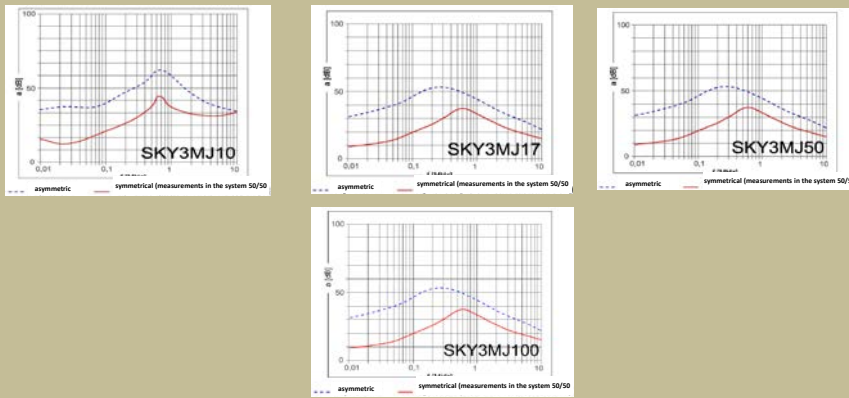
**Dimensional drawing : SKY3MJ50**



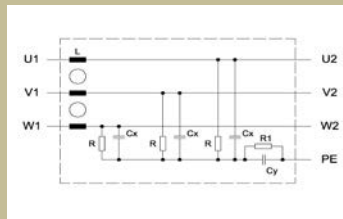
**Dimensional drawing : SKY3MJ100**



**Attenuation characteristic:**



**Wiring diagram : SKY3MJ10, SKY3MJ17, SKY3MJ50, SKY3MJ100**



**Service conditions:**

An expected life is 10 years minimally if the technical parameters are not exceeded and the service conditions are not breached. If damage, exceeding of technical parameters or breach of service conditions occurs, it will be necessary to review or repair the filter by the producer.

**Use:**

The filters are intended for traction usage.