

Traction interference suppression filters

series: 4MJ

Description:

SKY4MJ10, SKY4MJ25, SKY4MJ50, SKY4MJ100 are radio frequency interference suppression LC filters. Low pass filter is created by combination of inductance L and condensers C. The low pass filter restricts radio frequency interference. Their structure warrants high protection and considerable mechanical ruggedness. Inputs and outputs of the filters are led out by insulated conductors. Lengths of the conductors for each type are in the following table:



TECHNICAL PARAMETERS:

Nominal current	50A
Nominal voltage	3x230/400V
Testing voltage (U2+V2+W2) - PE	2,2kVdc

Lengths of individual conductors of the filter SKY4MJ10 (m)

Označení/typ vodiče	U1	V1	W1	N1	PE	U2	V2	W2	N2
SKY4MJ10R-rev.1 Radox 4GKW 1,5mm2	1	1	1	1	1	1	1	1	1



TECHNICAL PARAMETERS:

Nominal current	25A
Nominal voltage	3x500V
Testing voltage (U2+V2+W2) - PE	2,2kVdc

Lengths of individual conductors of the filter SKY4MJ25 (m)

Označení/typ vodiče	U1	V1	W1	N1	PE	U2	V2	W2	N2
SKY4MJ25R-rev.1 Radox 4GKW 10mm2	1	1	1	1	1	1	1	1	1



TECHNICAL PARAMETERS:

Nominal current	50A
Nominal voltage	3x230/400V
Testing voltage (U2+V2+W2) - PE	2,2kVdc

Lengths of individual conductors of the filter SKY4MJ50 (m)

Označení/typ vodiče	U1	V1	W1	N1	PE	U2	V2	W2	N2
SKY4MJ50R-rev.1 Radox 4GKW 10mm2	0,5	0,5	0,5	0,5	M8x16	0,5	0,5	0,5	0,5



SKY4MJ100

TECHNICAL PARAMETERS:

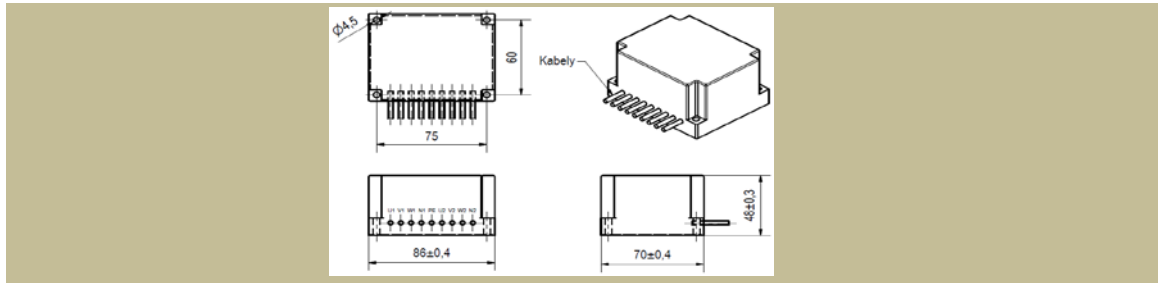
Nominal current	100A
Nominal voltage	3x230/400V
Testing voltage (U2+V2+W2) - PE	2,2kVdc

Lengths of individual conductors of the filter SKY4MJ100 (m)

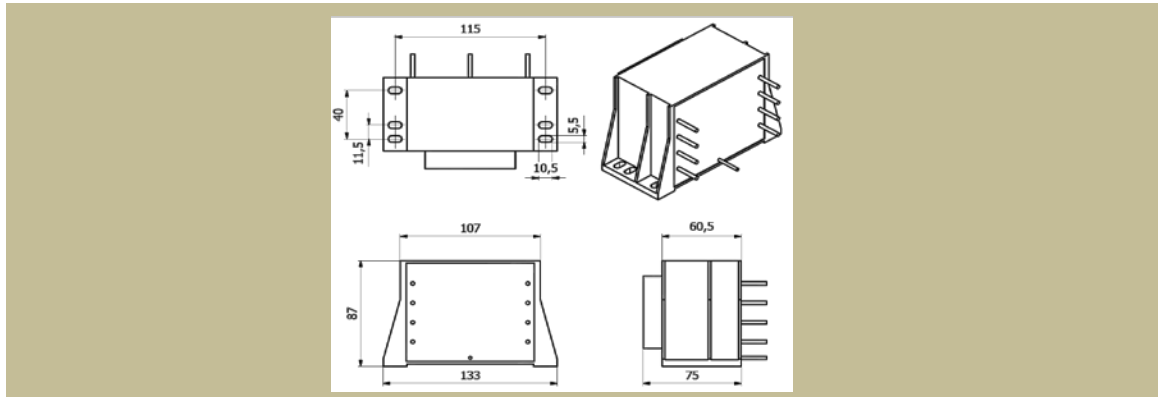
Označení/typ vodiče	U1	V1	W1	N1	PE	U2	V2	W2	N2
SKY4MJ100R-rev.1 Radox 4GKW 25mm2	0,5	0,5	0,5	0,5	M8	0,5	0,5	0,5	0,5

Type	Nominal current [A]	Leakage current 1*) [mA]	Weight [kg]	Conductor cross section [mm 2]	basic dimensions [mm]				
					A	B	C	D	E
					length	height	width	pitch	pitch
SKY4MJ10	10	-	0,7	1,5	86	48	70	75	60
SKY4MJ25	25	-	1,5	4	133	87	75	115	40
SKY4MJ50	50	-	3,5	10	160	70	163	110	145
SKY4MJ100	100	-	5,5	25	164	138	163	110	146

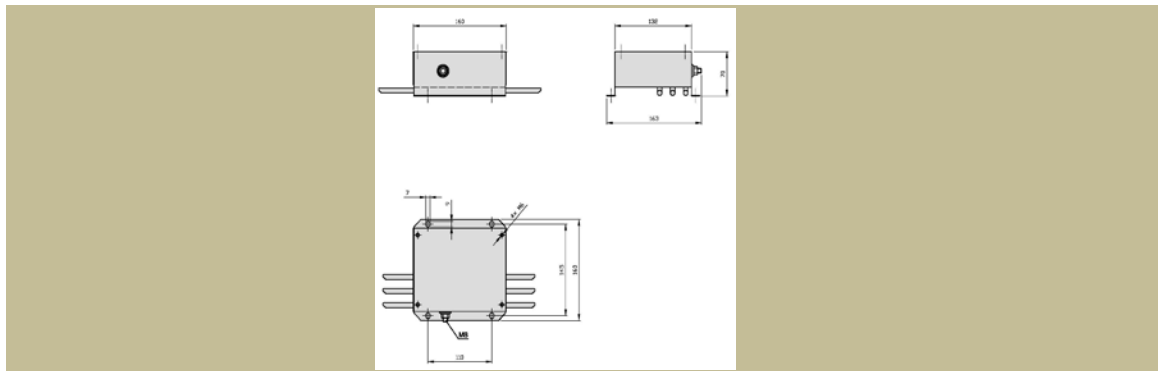
Dimensional drawing : SKY4MJ10



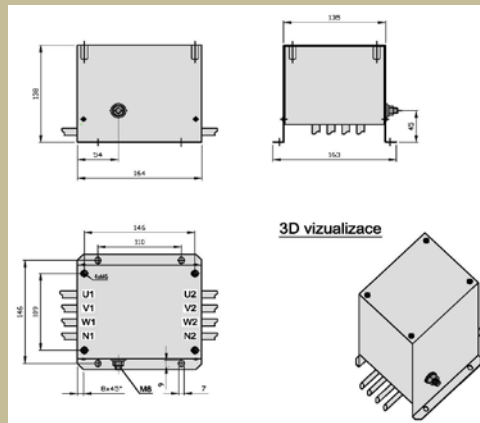
Dimensional drawing : SKY4MJ25



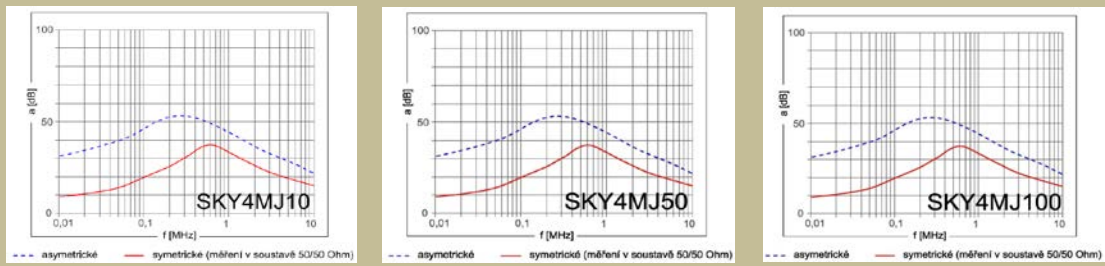
Dimensional drawing : SKY4MJ50



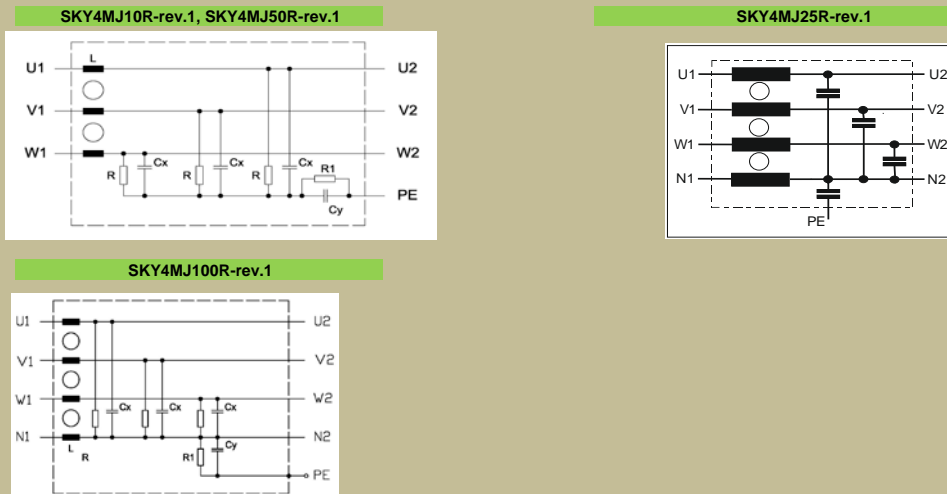
Dimensional drawing : SKY4MJ100



Attenuation characteristic:



Wiring diagram:



Service conditions:

An expected life is 10 years minimally if the technical parameters are not exceeded and the service conditions are not breached. If damage, exceeding of technical parameters or breach of service conditions occurs, it will be necessary to review or repair the filter by the producer.

Use:

The filters are intended for traction usage.