

Interference suppression condensers for traction purposes

Description:

Interference suppression condensers for traction purposes are safety interference suppression condensers of type Y. They are dimensioned for the size of voltage indicated on the label.



TECHNICAL PARAMETERS:

Resistor R: 12M Ω
 Capacity: 110nF
 Voltage: 750 Vdc
 Weight: 0,2 kg

TECHNICAL PARAMETERS:

Resistor R: 15M Ω
 Capacity: 1 μ F
 Voltage: 750 Vdc
 Weight: 1,2 kg

TECHNICAL PARAMETERS:

Capacity: 12nF
 Voltage: 750 Vdc
 Weight: 0,23 kg

TECHNICAL PARAMETERS:

Resistor R: 15M Ω
 Capacity: 10 μ F
 Voltage: 750 Vdc
 Weight: 1,5 kg

TECHNICAL PARAMETERS:

Resistor R: 280M Ω
 Capacity: 240 nF
 Voltage: 25kVac
 Weight: 98 kg

TECHNICAL PARAMETERS:

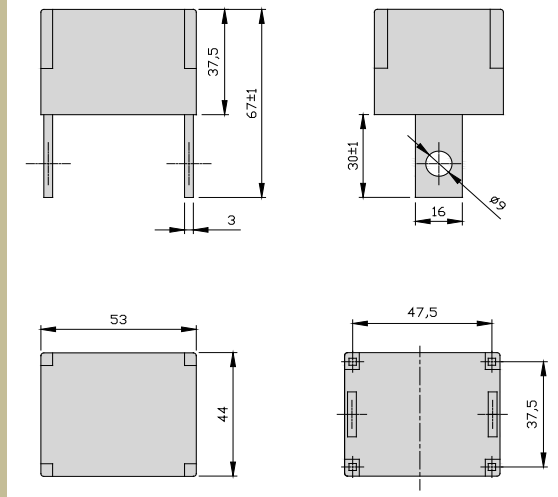
Resistor R : 1 M Ω
 Capacity : 1 uF
 Voltage : 750 kVac
 Weight : 0,9 kg

TECHNICAL PARAMETERS:

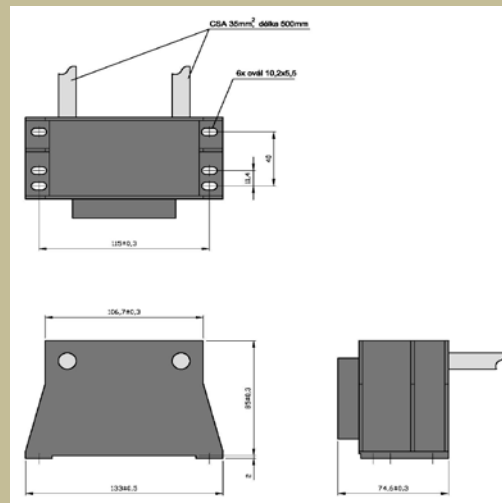
Resistor R : 5 M Ω
 Capacity : 5 uF
 Voltage : 750 kVac
 Weight : 1,9 kg

Type	Nominal voltage [V]	Weight [kg]	Conductor cross section [mm ²]	basic dimensions [mm]				
				A	B	C	D	E
				length	height	width	pitch	pitch
SKY2KCY	750 Vdc	0,2	20x3 Ø 9	53	67	44	-	-
SKYC-1	750 Vdc	1,2	35	133	85	74,6	115	40
SKYC12nF	750 Vdc	0,23	2,5	88	53,5	48	75	13,5
SKYC-10	750 Vdc	1,5	35	133	85	98,5	115	64
SKYC240nF-25kVac	25kVac	98	M 10 / M 8	594	520	594	380	380
SKYC-1A	750 Vac	0,9	16	133	87	75	115	40
SKYC-5	750 Vac	1,9	16	172	109	109	150	65

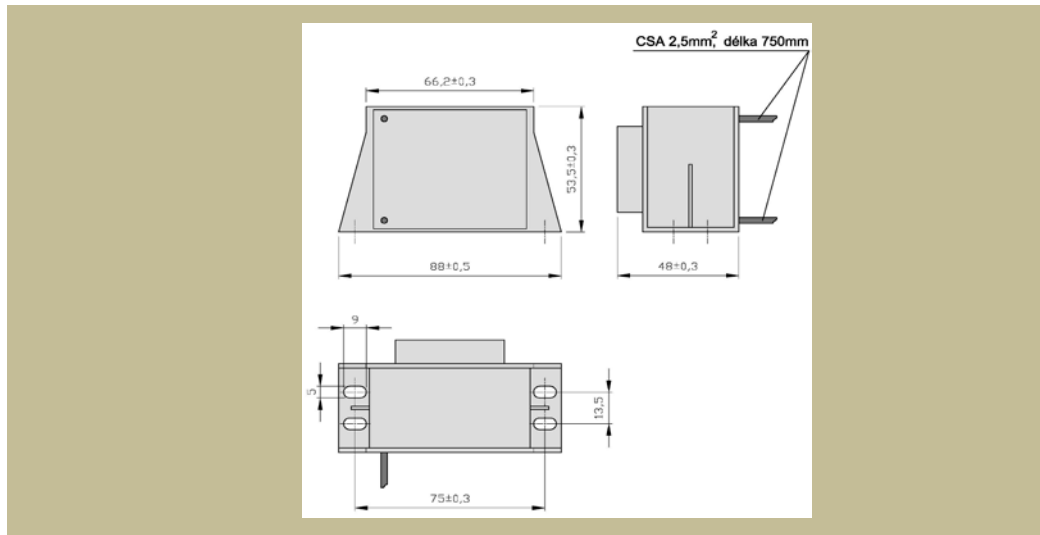
Dimensional drawing: SKY2KCY



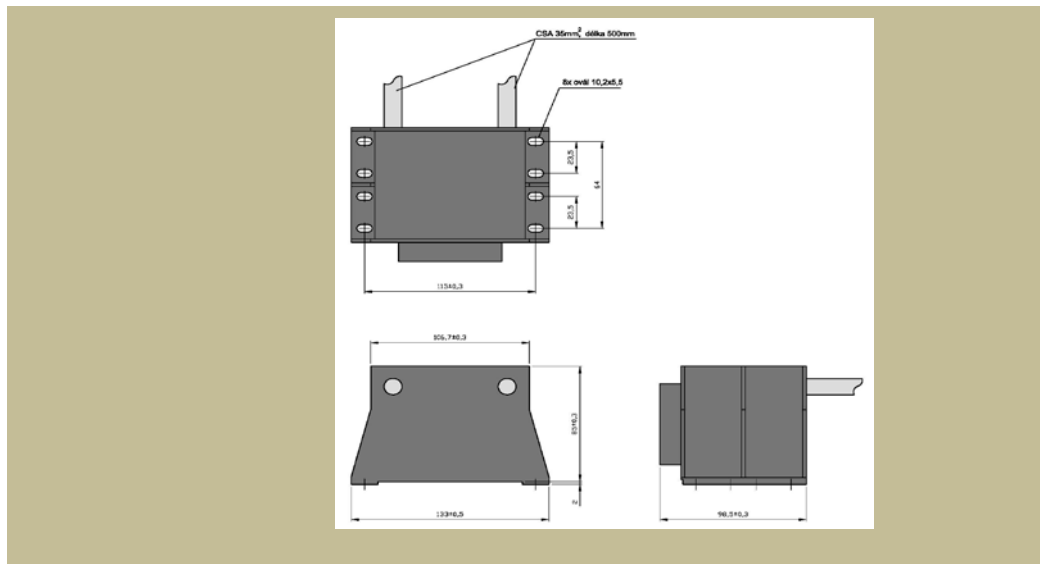
Dimensional drawing: SKYC-1



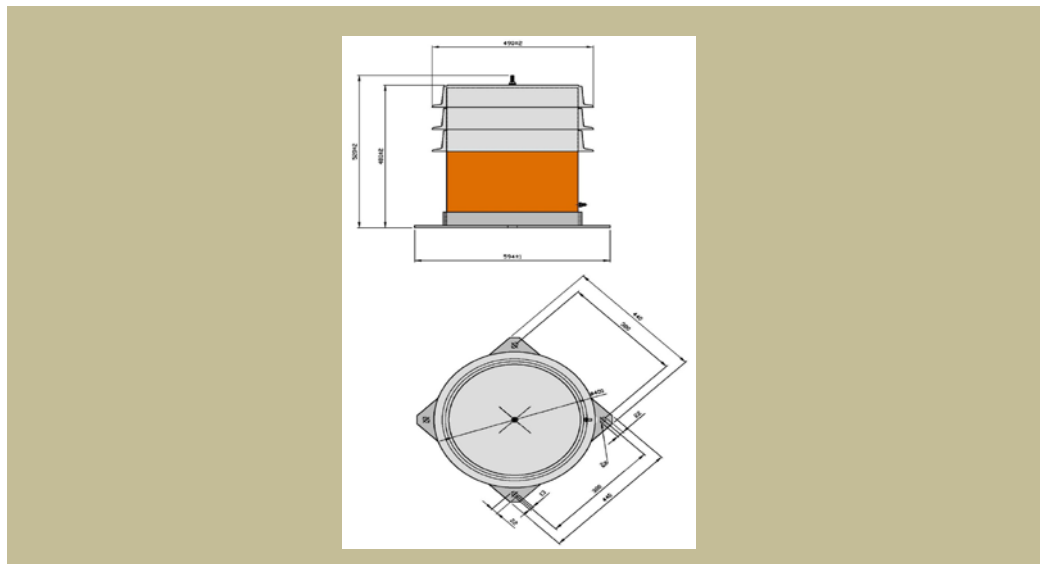
Dimensional drawing: SKYC12nF



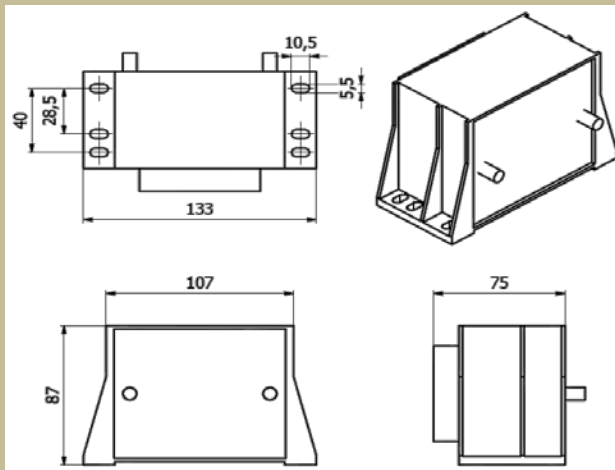
Dimensional drawing: SKYC - 10



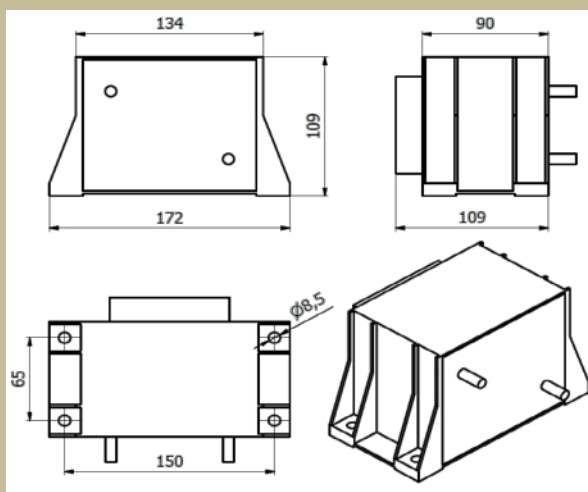
Dimensional drawing SKYC240nF-25kVac



Dimensional drawing: SKYC-1A

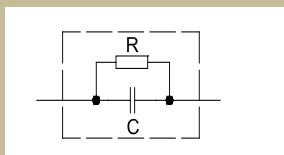


Dimensional drawing: SKYC-5

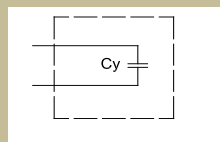


Attenuation characteristic:

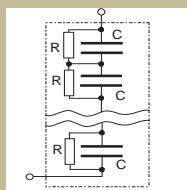
SKYC-1, SKYC-10, SKY2KCY, SKYC-1A, SKYC-5



SKYC12nF



SKYC240nF-25kVac



Technické podmínky :

If damage, exceeding of technical parameters and breach of service conditions not occur, an annual visual check of the filter will be enough. If the damage, exceeding of technical parameters or breach of service conditions occurs, it will be necessary to review or repair the filter by the producer. An expected life is 30 years minimally if the technical parameters are not exceeded and the service conditions are not breached.