

Condenser filters for supplemental interference suppression of an appliance

Description:

The condenser filters which are produced by SKYBERGTECH company, consist of safety condensers of type X for interference suppression of the symmetrical component, and safety condensers of type Y for interference suppression of the asymmetric component. They are star-connected by brought-out neutral points and the condensers of type Y leading to the ground (PE) are connected to them. They are dimensioned for the size of voltage indicated on the label.

SKY3C1


TECHNICAL PARAMETERS:

Resistor R : 880k Ω
 Capacity Cy : 1mF
 Voltage : 3x230 / 400 Vac
 Weight : 0,28 kg

SKY3C1-1


TECHNICAL PARAMETERS:

Resistor R : 660k Ω
 Resistor R1 : 5M Ω
 Capacity Cx : 1mF
 Capacity Cy : 1mF
 Voltage : 2x230 / 400 Vac
 Weight : 0,2 kg

SKY3C2-1


TECHNICAL PARAMETERS:

Resistor R : 440k Ω
 Resistor R1 : 5M Ω
 Capacity Cx : 2mF
 Capacity Cy : 1mF
 Voltage : 2x230 / 400 Vac
 Weight : 0,21 kg

SKY3C-14


TECHNICAL PARAMETERS:

Resistor R : 880k Ω
 Capacity C : 14mF
 Voltage : 3x230 / 400 Vac
 Weight : 0,8 kg

SKY3C2,35-0,5


TECHNICAL PARAMETERS:

Resistor R : 1,2M Ω
 Resistor R1 : 20M Ω
 Capacity Cx : 2,35mF
 Capacity Cy : 0,5mF
 Voltage : 3x690 Vac
 Weight : 0,91 kg

SKY3C2,35-0,5-850V


TECHNICAL PARAMETERS :

Resistor R : 1,2M Ω
 Resistor R1 : 20M Ω
 Capacity Cx : 2,35mF
 Capacity Cy : 0,5mF
 Voltage : 3x850 Vac
 Weight : 0,92 kg

SKYC6,6-0,5


TECHNICAL PARAMETERS :

Resistor R : 880k Ω
 Capacity Cx : 6,6mF
 Capacity Cy : 0,5mF
 Voltage : 3x230 / 400 Vac
 Weight : 2,2 kg

SKYC100nF


TECHNICAL PARAMETERS :

Nominal voltage : 230 Vac
 Capacity C : 100 nF
 Voltage : 2,50 kVdc - 2s
 Weight : 0,1 kg

SKYC500nF


TECHNICAL PARAMETERS :

Nominal voltage : 3 kVdc
 Capacity C : 500 nF
 Weight : 0,53 kg

SKY1C2,35-0,5-550V



TECHNICAL PARAMETERS :

Resistor R : 1,32 MΩ
Resistor R1 : 6MΩ
Capacity Cx: 2,35mF
Capacity Cy : 0,5mF
Voltage : 550 Vac
Weight : 0,23 kg

SKY1C2,35-0,5-750V



TECHNICAL PARAMETERS :

Resistor R : 1,32 MΩ
Resistor R1 : 6MΩ
Capacity Cx: 2,35mF
Capacity Cy : 0,5mF
Voltage : 750 Vac
Weight : 0,23 kg

SKY3C4,7-1



TECHNICAL PARAMETERS :

Resistor R : 0,66 MΩ
Resistor R1 : 5MΩ
Capacity Cx: 4,7mF
Capacity Cy : 1mF
Voltage : 3x230 / 400 Vac
Weight : 0,5 kg

SKY3C4,7-1-rev.1



TECHNICAL PARAMETERS :

Capacity Cx: 4,7μF
Capacity Cy : 1μF
Voltage : 3x230 / 400 Vac
Weight : 0,4 kg

SKY3C1,175-0,33-1000V



TECHNICAL PARAMETERS :

Resistor R : 1,2 MΩ
Resistor R1 : 20 MΩ
Capacity Cx: 1,175 μF
Capacity Cy : 0,5 μF
Voltage : 3x1000 Vac
Weight : 1 kg

SKY3C2,2-0,1



TECHNICAL PARAMETERS :

Resistor R : 2 MΩ
Capacity Cx: 2,2 μF
Capacity Cy : 0,1 μF
Voltage : 3x230 / 400 Vac
Weight : 0,2 kg

SKY3C1-1



TECHNICAL PARAMETERS :

Resistor R : 660 kΩ
Capacity Cy : 1 μF
Voltage : 300 Vac, 420 Vdc
Weight : 0,4 kg

SKY3C1-1-850V-83,3kHz



TECHNICAL PARAMETERS :

Resistor R : 220 kΩ
Resistor R1 : 1 MΩ
Capacity Cx: 1 μF
Capacity Cy : 1 μF
Voltage : 3x850 Vac
Weight : 2,3 kg

SKY3C4,7-2



TECHNICAL PARAMETERS :

Resistor R : 660 Ω
Capacity Cx: 4,7 μF
Capacity Cy : 1 μF
Voltage : 3x230 / 400 Vac
Weight : 0,5 kg

SKY1C0,5-1-1200V



TECHNICAL PARAMETERS :

Resistor R : 1 MΩ
Capacity Cx : 1 μF
Capacity Cy : 1 μF
Voltage : 1200 Vac
Weight : 2,3 kg

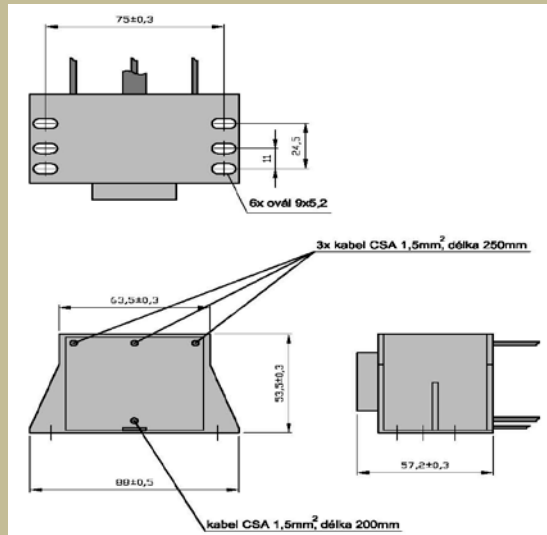
SKY1C0,5-1-1500V



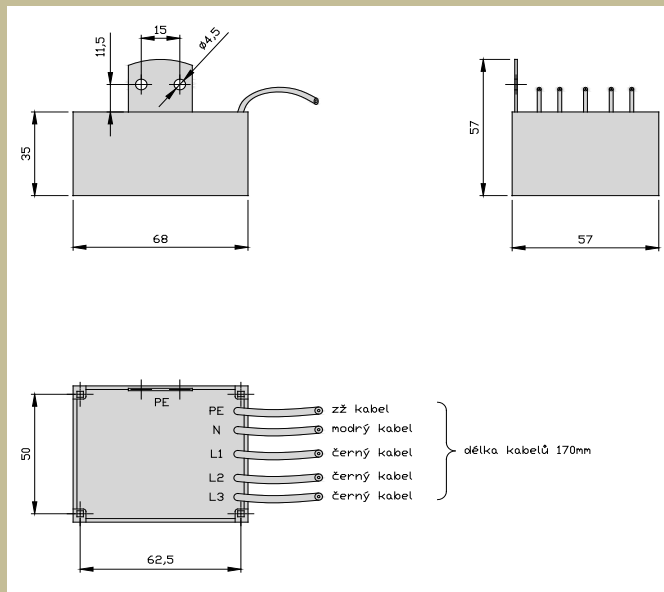
TECHNICAL PARAMETERS :

Resistor R : 1 MΩ
Capacity Cx : 1 μF
Capacity Cy : 1 μF
Voltage : 1500 Vac
Weight : 2,3 kg

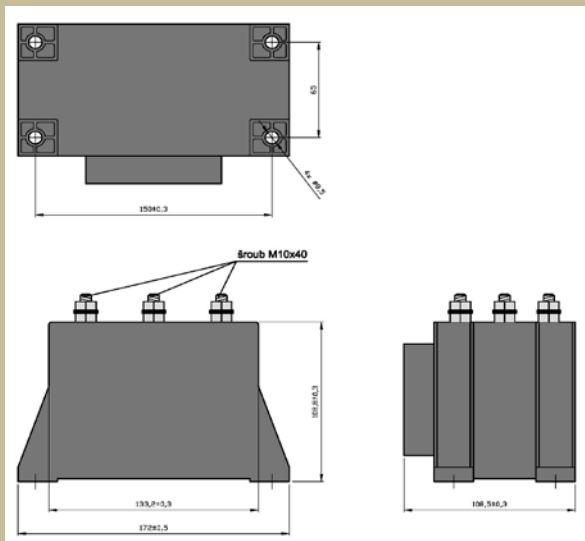
Dimensional drawing : SKY3C1



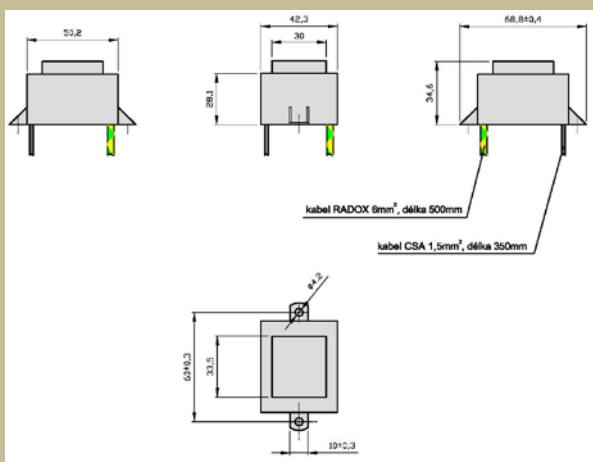
Dimensional drawing: SKY3C1-1



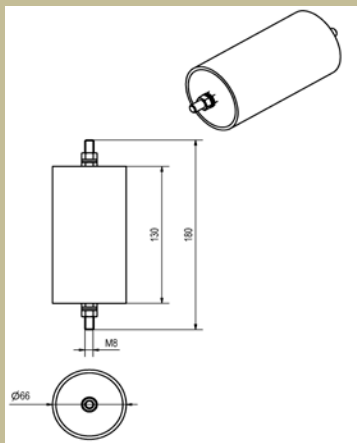
Dimensional drawing : SKYC6,6-0,5



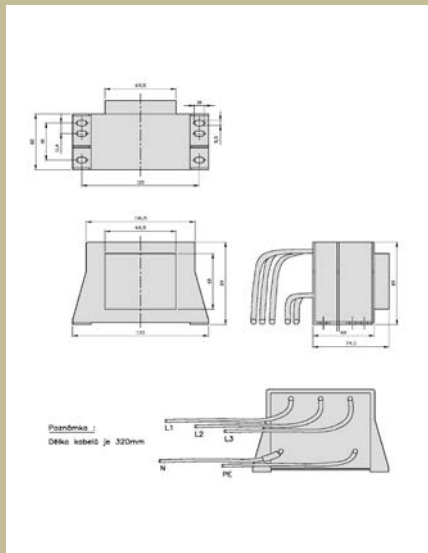
Dimensional drawing: SKYC100nF



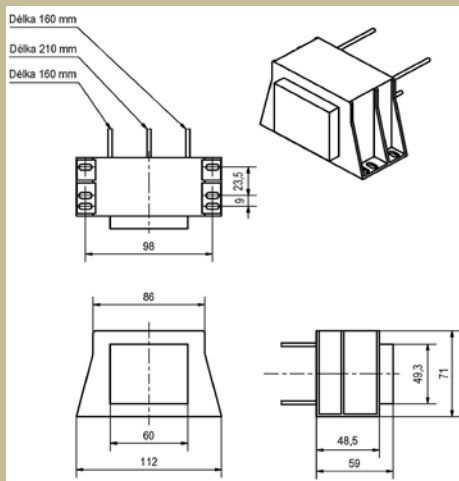
Dimensional drawing: SKYC500nF



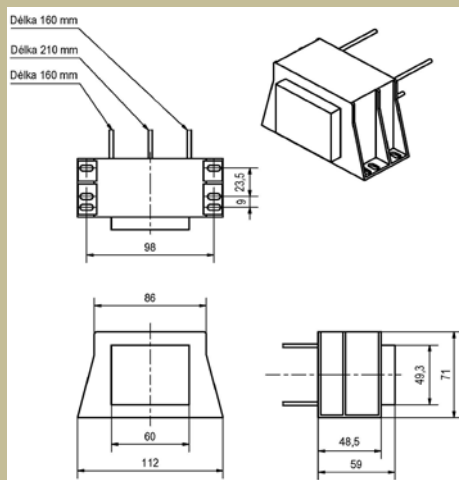
Dimensional drawing : SKY3C2,35-0,5-850 V



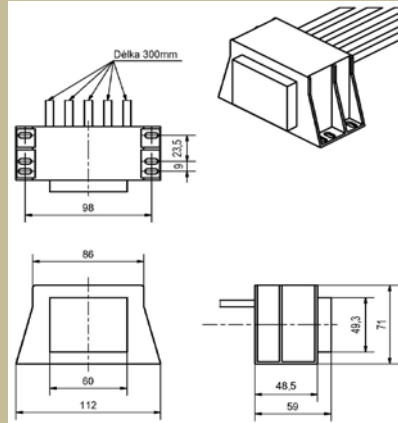
Dimensional drawing: SKY1C2,35-0,5-550V



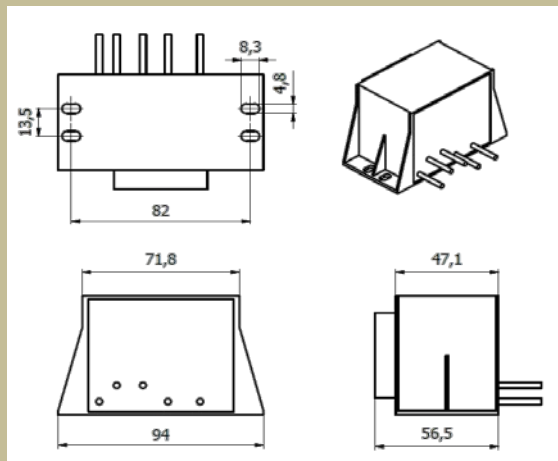
Dimensional drawing : SKY1C2,35-0,5-750V



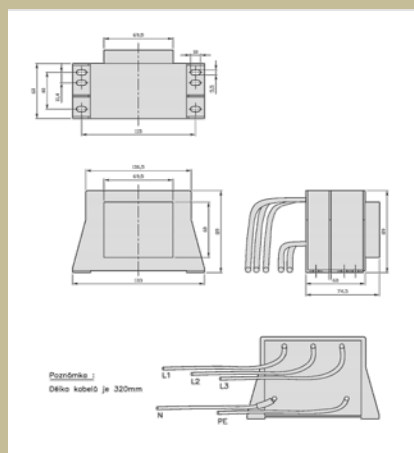
Dimensional drawing : SKY3C4,7-1



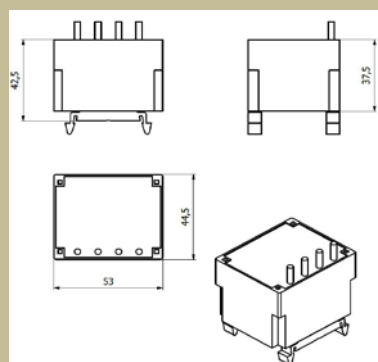
Dimensional drawing: SKY3C4,7-1-rev.1



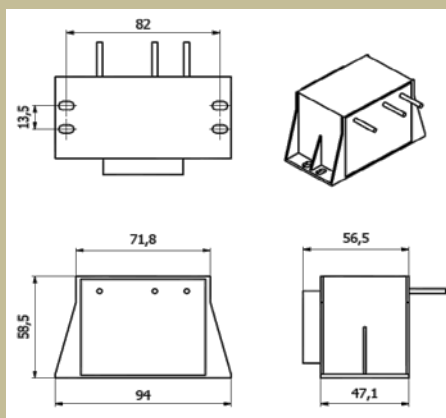
Dimensional drawing : SKY3C1,175-0,33-1000V



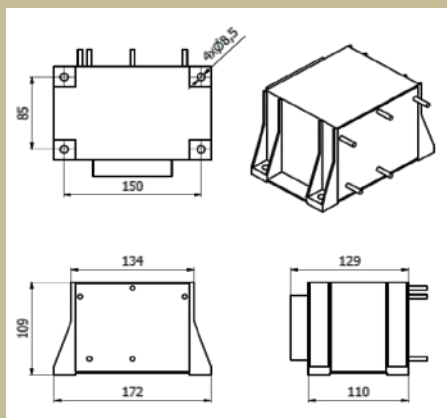
Dimensional drawing:SKY3C2,2-0,1



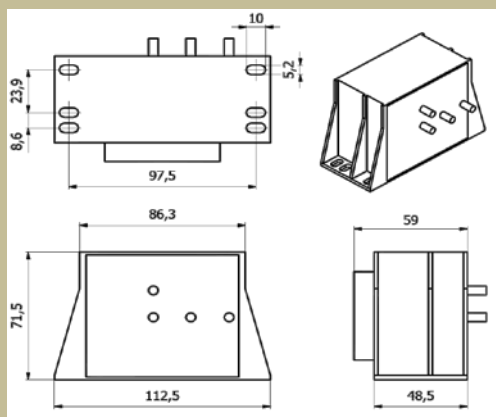
Dimensional drawing: SKY3C1-1



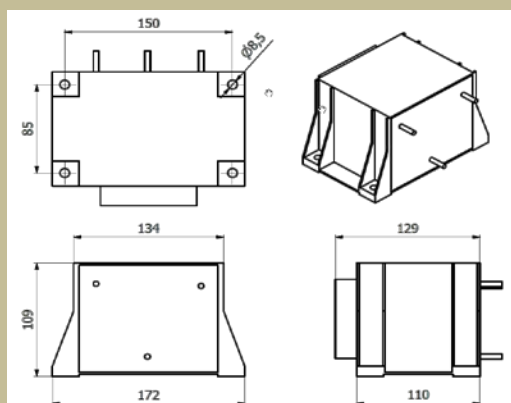
Dimensional drawing: SKY3C1-1-850V-83,3kHz



Dimensional drawing: SKY3-4,7-2



Dimensional drawing: SKY1C0,5-1-1200V



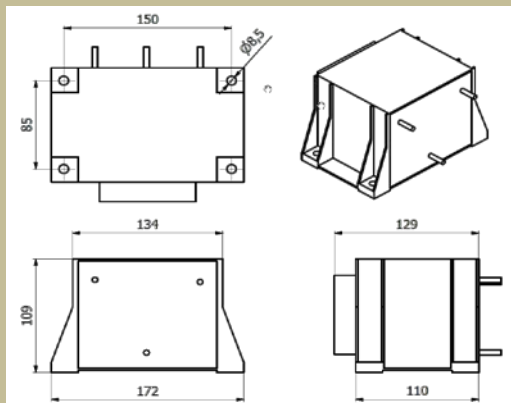
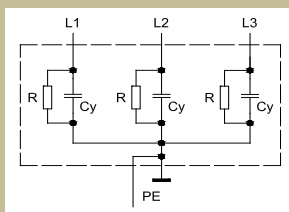
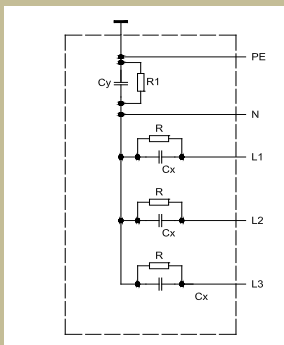


Diagram:

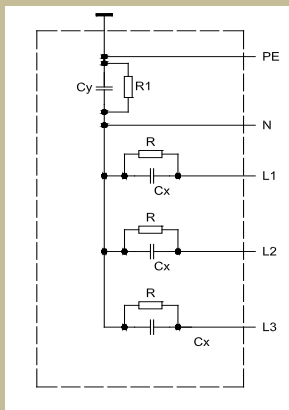
SKY3C1



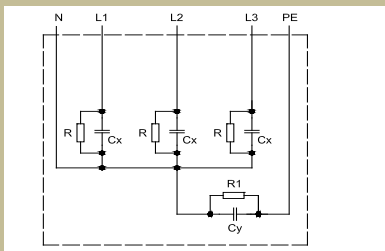
SKY3C1-1



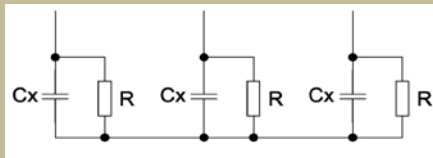
SKY3C2-1



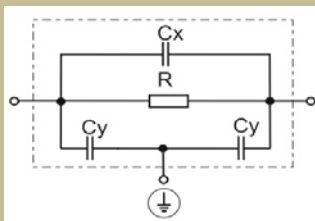
SKY3C2,35-0,5, SKY3C1,175-0,33-1000V
SKY3C2,35-0,5-850 V



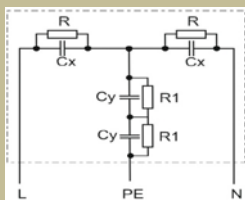
SKY3C-14



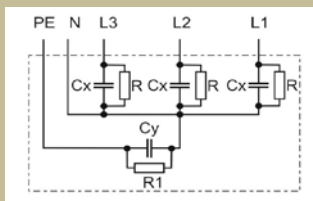
SKY3C1-1



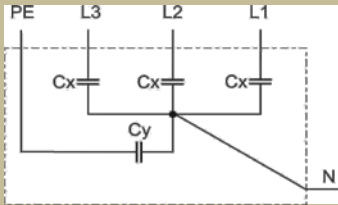
SKY1C2,35-0,5-550V
SKY1C2,35-0,5-750V



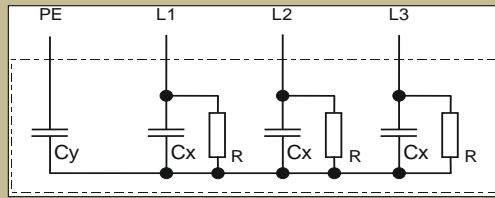
SKY3C4,7-1



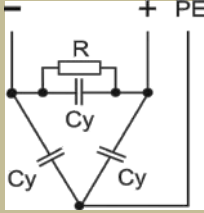
SKY3C4,7-rev.1



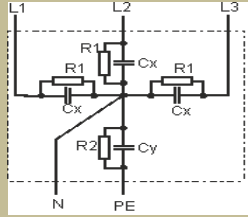
SKY3C2,2-0,1



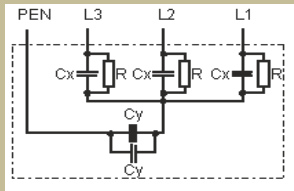
SKY3C1-1



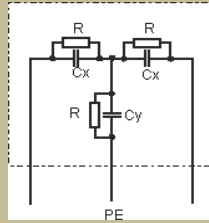
SKY3C1-1-850V-83,3kHz



SKY3C4,7-2



SKY3C0,5-1-1200V, SKY3C0,5-1-1500V



Use:

They are used in the places with symmetrical and asymmetric consumption and where we need to decrease level of radio frequency interference. They are not dependant on quantity of load. They are suited as a supplement for the interference suppression filters for increasing of its attenuation and for supplemental interference suppression of the appliances. Because of their high protection they are used in industrial and exacting surroundings.