

Condenser for sinusoidal filters

Description :

SKY2CY-200 series are a safety interference suppression condenser of type Y.



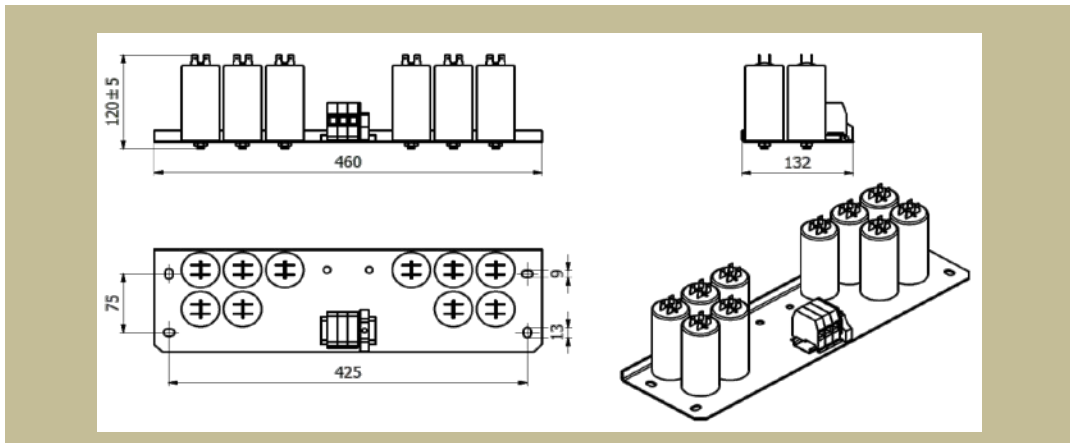
TECHNICAL PARAMETERS :

Nominal voltage
 Capacity: 2x200 uF

Un : 400 Vac

Type	Weight [kg]	Conductor cross section [mm ²]	basic dimensions [mm]					
			A	B	C	D	E	F
			length	height	width	pitch	pitch	other
SKY2CY-200	3	-	460	120	132	425	75	-

Dimensional drawing :



Dimensioning, wiring:

It is dimensioned for size indicated on a label.

Use:

It is used in places where we need to decrease level of radio frequency interference.