

Single-phase choke, type TZS

series: 2TL

Description:

Choke of 2TL series are two single-phase chokes 0,2mH dimensioned for 240A.

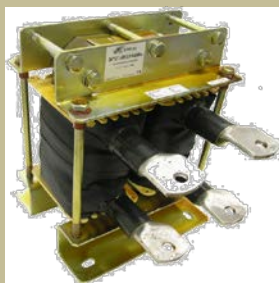
SKY2TL240-0,2



TECHNICAL PARAMETERS:

Extent of operating frequencies f_n (for I_n) F_n : 50-60 Hz
 Extent of operating currents I_n : 240A
 Short-term overcurrent capacity : 50% I_n
 Thermal class : B
 Protection class : IP00
 Extent of operating temperature : -10°C + 40°C

SKY2TL450-0,015-200Hz



TECHNICAL PARAMETERS:

Extent of operating frequencies f_n (for I_n) F_n : 0-200 Hz
 Extent of operating currents I_n : 450 A
 Short-term overcurrent capacity : 50% I_n
 Thermal class : F
 Protection class : IP00
 Extent of operating temperature : 0°C + 40°C

SKY2TL20-2



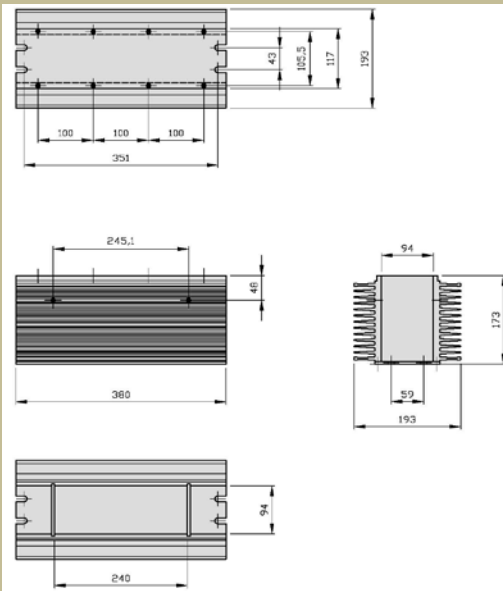
TECHNICAL PARAMETERS:

Extent of operating currents I_n : 20 A
 Short-term overcurrent capacity : 50% I_n
 Protection class : IP54

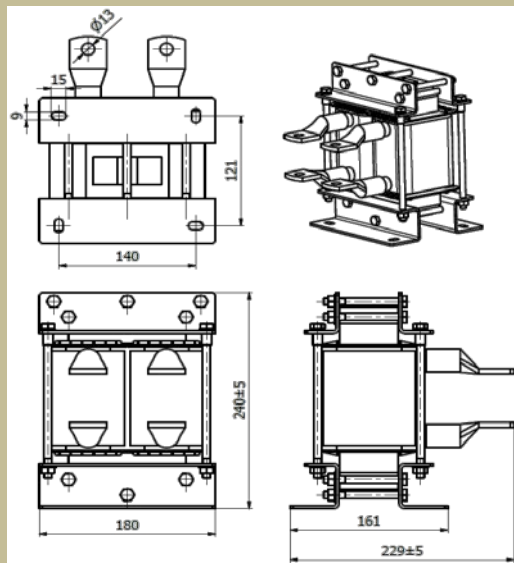
Type	Nominal current [A]	Inductance $\pm 20\%$ [mH]	Weight [kg]	Conductor cross section [mm ²]	basic dimensions [mm]					
					A	B	C	D	E	F
					length	height	width	pitch	pitch	other
SKY2TL240-0,2	240	0,2	26,6	oko 95x10	380	173	193	351	43	-
SKY2TL450-0,015-200Hz	450	0,015	12	oko 240x10	180	240	229	140	121	9x15
SKY2TL20-2	20	2	3	2,5	133	85	99	115	64,4	6x11

* Po dohodě je možno konstrukci filtru upravit podle požadavku zákazníka.

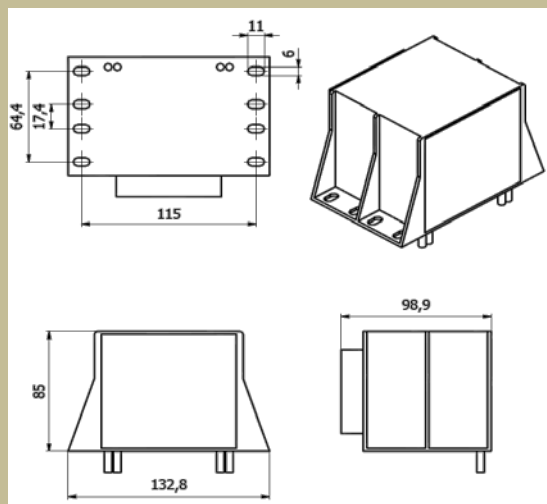
Dimensional drawing SKY2TL240-0,2 :



Dimensional drawing SKY2TL450-0,015-200Hz :



Dimensional drawing SKY2TL20-2



Use:

It is intended for frequency converters to exacting surroundings and for high protection and vibrations.

Dimensioning, wiring:

They are dimensioned according to the indicated label nominal voltage and current values. Short-circuit protection of the choke must not exceed nominal current value. When installing into switchboards it is necessary to count with power loss which depends on used application.
