

## Single-phase choke, type TZS

### series: 3PKT

#### Description:

3PKT series are current-compensated chokes.

**SKY3PKT55-2**



#### TECHNICAL PARAMETERS:

Extent of operating currents            In : 55 A  
 Short-term overcurrent capacity : 100% In  
 Protection class : IP20

**SKY3PKT32-3**



#### TECHNICAL PARAMETERS:

Extent of operating currents            In : 35 A  
 Short-term overcurrent capacity : 150% In  
 Protection class : IP20

**SKY3PKT10-3**



#### TECHNICAL PARAMETERS:

Extent of operating currents            In : 10 A  
 Short-term overcurrent capacity : 150% In  
 Protection class : IP20

**SKY3PKT5-3**



#### TECHNICAL PARAMETERS:

Extent of operating currents            In : 5 A  
 Short-term overcurrent capacity : 150% In  
 Protection class : IP20

**SKY3PKT55-2P**



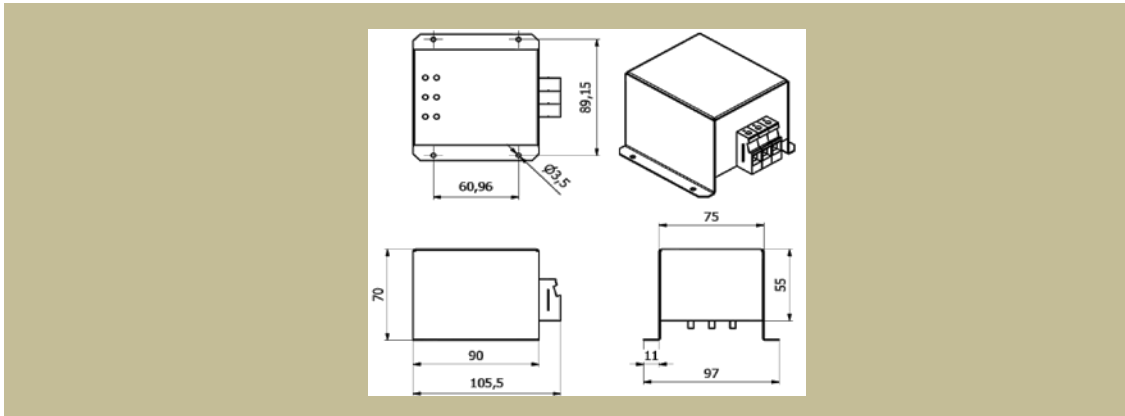
#### TECHNICAL PARAMETERS:

Extent of operating currents            In : 55 A  
 Short-term overcurrent capacity : 100% In

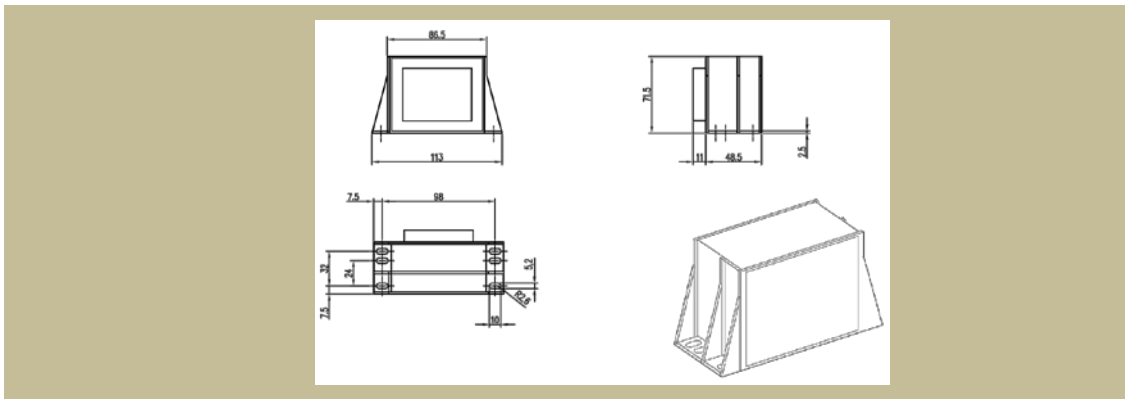
Type	Nominal current [A]	Inductance $\pm 20\%$ [mH]	Weight [kg]	Conductor cross section [mm <sup>2</sup> ]	basic dimensions [mm]					
					length	height	width	pitch	pitch	other
					SKY3PKT55-2	55	2	1	6-10	106
SKY3PKT35-3	35	3	0,3	svorky, 10	113	71,5	60	98	32	5,2x10
SKY3PKT10-3	10	3	0,3	svorky, 1,5	87	53	60	75	14	5x10
SKY3PKT5-3	5	3	0,3	svorky, 1,5	87	53	60	75	14	5x10
SKY3PKT55-2P	55	2	0,5	-	$\varnothing 62$	35	-	-	-	-

\* Po dohodě je možno konstrukci filtru upravit podle požadavku zákazníka.

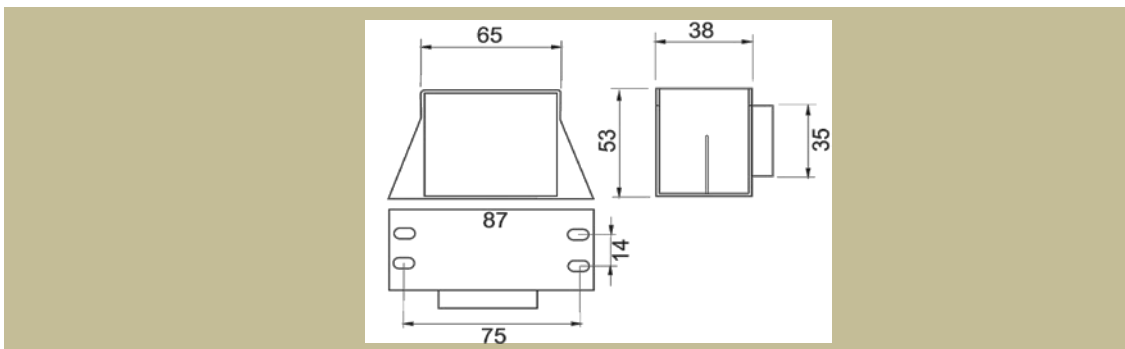
#### Dimensional drawing SKY3PKT55-2



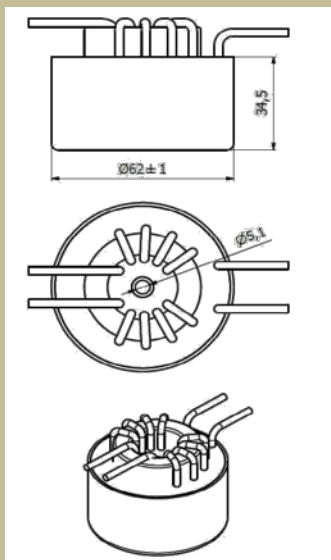
#### Dimensional drawing SKY3PKT35-3



#### Dimensional drawing SKY3PKT10-3, SKY3PKT5-3



### Dimensional drawing SKY3PKT55-2P



### Dimensioning, wiring:

They are dimensioned according to the indicated label nominal voltage and current values. Short-circuit protection of the choke must not exceed nominal current value. When installing into switchboards it is necessary to count with power loss which depends on used application.

### Use:

It is intended for supplemental interference suppression of frequency converters.