

Three-phase choke, type TZS series: 3TL

Description:

There are three-phase chokes and their values are shown in technical parameters.

SKY3TL32-0,5P


TECHNICAL PARAMETERS :

Nominal operating voltage	Un: 3x500Vac
Extent of operating frequencies fn	Fn: 50-60 Hz
Extent of operating currents	In: 32A
Short-term overcurrent capacity : 50% In	
Thermal class : F	
Protection class : IP00	
Extent of operating temperatures : -10°C + 40°C	

SKY3TL50-0,6


TECHNICAL PARAMETERS :

Nominal operating voltage	Un: 3x230/400Vac
Extent of operating frequencies fn	Fn: 0-50Hz
Extent of operating currents	In: 50A
Short-term overcurrent capacity : 50% In	
Thermal class : F	
Protection class : IP00	
Extent of operating temperatures : -10°C + 40°C	

SKY3TL60-0,5


TECHNICAL PARAMETERS :

Nominal operating voltage	Un: 3x230/400Vac
Extent of operating frequencies fn	Fn: 0-50Hz
Extent of operating currents	In: 60A
Short-term overcurrent capacity : 50% In	
Thermal class : F	
Protection class : IP00	
Extent of operating temperatures : -10°C + 40°C	

SKY3TL72-0,5


TECHNICAL PARAMETERS :

Nominal operating voltage	Un: 3x230/400Vac
Extent of operating frequencies fn	Fn: 0-50Hz
Extent of operating currents	In: 72A
Short-term overcurrent capacity : 50% In	
Thermal class : F	
Protection class : IP00	
Extent of operating temperatures : -10°C + 40°C	

SKY3TL72-30µH


TECHNICAL PARAMETERS :

Nominal operating voltage	Un: 3x230/400Vac
Extent of operating frequencies fn	Fn: 0-50Hz
Extent of operating currents	In: 3x72A
Short-term overcurrent capacity : 50% In	
Thermal class : F	
Protection class : IP67	
Extent of operating temperatures : -10°C + 40°C	

SKY3TL90-0,3



TECHNICAL PARAMETERS :

Nominal operating voltage Un: 3x230/400Vac
Extent of operating frequencies fn Fn: 0-50Hz
Extent of operating currents In: 90A
Short-term overcurrent capacity : 50% In
Thermal class : F
Protection class : IP67
Extent of operating temperatures : -10°C + 40°C

SKY3TL100-0,25



TECHNICAL PARAMETERS :

Nominal operating voltage Un: 3x230/400Vac
Extent of operating frequencies fn Fn: 0-50Hz
Extent of operating currents In: 100A
Short-term overcurrent capacity : 50% In
Thermal class : F
Protection class : IP00
Extent of operating temperatures : -10°C + 40°C

SKY3TL110-0,25



TECHNICAL PARAMETERS :

Nominal operating voltage Un: 3x230/400Vac
Extent of operating frequencies fn Fn: 0-50Hz
Extent of operating currents In: 110A
Short-term overcurrent capacity : 50% In
Thermal class : F
Protection class : IP00
Extent of operating temperatures : -10°C + 40°C

SKY3TL150-0,2



TECHNICAL PARAMETERS :

Nominal operating voltage Un: 3x230/400Vac
Extent of operating frequencies fn Fn: 0-50Hz
Extent of operating currents In: 150A
Short-term overcurrent capacity : 50% In
Thermal class : F
Protection class : IP00
Extent of operating temperatures : -10°C + 40°C

SKY3TL180-0,16



TECHNICAL PARAMETERS :

Nominal operating voltage Un: 3x230/400Vac
Extent of operating frequencies fn Fn: 0-50Hz
Extent of operating currents In: 180A
Short-term overcurrent capacity : 50% In
Thermal class : F
Protection class : IP00
Extent of operating temperatures : -10°C + 40°C

SKY3TL180-0,19



TECHNICAL PARAMETERS :

Nominal operating voltage Un: 3x320/400Vac
Extent of operating frequencies fn Fn: 0-50Hz
Extent of operating currents In: 180A
Short-term overcurrent capacity : 50% In
Thermal class : F
Protection class : IP00
Extent of operating temperatures : -10°C + 40°C

SKY3TL200-0,07-80HzCH



TECHNICAL PARAMETERS :

Nominal operating voltage Un: 3x230/400Vac
Extent of operating frequencies fn Fn: 0-50Hz
Extent of operating currents In: 200A
Short-term overcurrent capacity : 50% In
Thermal class : F
Protection class: IP00
Extent of operating temperatures : -10°C + 40°C

SKY3TL250-0,07



TECHNICAL PARAMETERS :

Nominal operating voltage Un: 3x230/400Vac
Extent of operating frequencies fn Fn: 0-50Hz
Extent of operating currents In: 250A
Short-term overcurrent capacity : 50% In
Thermal class : F
Protection class: IP00
Extent of operating temperatures : -10°C + 40°C

SKY3TL250-0,25



TECHNICAL PARAMETERS :

Nominal operating voltage Un: 3x230/400Vac
Extent of operating frequencies fn Fn: 0-50Hz
Extent of operating currents In: 250A
Short-term overcurrent capacity : 50% In
Thermal class : F
Protection class: IP00
Extent of operating temperatures : -40°C + 50°C

SKY3TL410-0,07



TECHNICAL PARAMETERS :

Nominal operating voltage Un: 3x230/400Vac
Extent of operating frequencies fn Fn: 0-50Hz
Extent of operating currents In: 410A
Short-term overcurrent capacity : 50% In
Thermal class : F
Protection class: IP00
Extent of operating temperatures : -10°C + 40°C

SKY3TL460-0,06



TECHNICAL PARAMETERS :

Nominal operating voltage Un: 3x230/400Vac
Extent of operating frequencies fn Fn: 0-50Hz
Extent of operating currents In: 460A
Short-term overcurrent capacity : 50% In
Thermal class : F
Protection class: IP00
Extent of operating temperatures : -10°C + 40°C

SKY3TL500-0,06



TECHNICAL PARAMETERS :

Nominal operating voltage Un: 3x230/400Vac
Extent of operating frequencies fn Fn: 0-50Hz
Extent of operating currents In: 600A
Short-term overcurrent capacity : 50% In
Thermal class : F
Protection class: IP00
Extent of operating temperatures : -10°C + 40°C

SKY3TL600-0,05



TECHNICAL PARAMETERS :

Nominal operating voltage Un: 3x230/400Vac
Extent of operating frequencies fn Fn: 0-50Hz
Extent of operating currents In: 600A
Short-term overcurrent capacity : 50% In
Thermal class : F
Protection class: IP00
Extent of operating temperatures : -10°C + 40°C

SKY3TL800-0,035



TECHNICAL PARAMETERS :

Nominal operating voltage Un: 3x230/400Vac
Extent of operating frequencies fn Fn: 0-50Hz
Extent of operating currents In: 800A
Short-term overcurrent capacity : 50% In
Thermal class : F
Protection class: IP00
Extent of operating temperatures : -10°C + 40°C

SKY3TL840-0,04



TECHNICAL PARAMETERS :

Nominal operating voltage Un: 3x230/400Vac
Extent of operating frequencies fn Fn: 0-50Hz
Extent of operating currents In: 840A
Short-term overcurrent capacity : 50% In
Thermal class : F
Protection class: IP00
Extent of operating temperatures : -10°C + 40°C

SKY3TL1150-0,012



TECHNICAL PARAMETERS :

Nominal operating voltage Un: 3x230/400Vac
Extent of operating frequencies fn Fn: 0-50Hz
Extent of operating currents In: 1150A
Short-term overcurrent capacity : 50% In
Thermal class : F
Protection class: IP00
Extent of operating temperatures : -10°C + 40°C

SKY3TL1200-0,02



TECHNICAL PARAMETERS :

Nominal operating voltage Un: 3x230/400Vac
Extent of operating frequencies fn Fn: 0-50Hz
Extent of operating currents In: 1200A
Short-term overcurrent capacity : 50% In
Thermal class : F
Protection class: IP00
Extent of operating temperatures : -10°C + 40°C

SKY3TL1600-0,008



TECHNICAL PARAMETERS :

Nominal operating voltage Un: 3x230/400Vac
Extent of operating frequencies fn Fn: 0-50Hz
Extent of operating currents In: 1600A
Short-term overcurrent capacity : 50% In
Thermal class : F
Protection class: IP00
Extent of operating temperatures : -10°C + 40°C

SKY3TL1600-0,018



TECHNICAL PARAMETERS :

Nominal operating voltage Un: 3x230/400Vac
Extent of operating frequencies fn Fn: 0-50Hz
Extent of operating currents In: 1600A
Short-term overcurrent capacity : 50% In
Thermal class : F
Protection class: IP00
Extent of operating temperatures : -10°C + 40°C

SKY3TL2500-0,01



TECHNICAL PARAMETERS :

Nominal operating voltage Un: 3x230/400Vac
Extent of operating frequencies fn Fn: 0-50Hz
Extent of operating currents In: 2500A
Short-term overcurrent capacity : 50% In
Thermal class : F
Protection class: IP00
Extent of operating temperatures : -40°C + 60°C

SKYTL194-0,15



TECHNICAL PARAMETERS :

Nominal operating voltage Un: 3x230/400 Vac
Extent of operating frequencies fn Fn: 0-50 Hz
Extent of operating currents In: 194 A
Short-term overcurrent capacity : 50% In
Thermal class : F
Protection class: IP00
Extent of operating temperatures : -25°C + 40°C

SKY3TL2,6-21,5



TECHNICAL PARAMETERS :

Nominal operating voltage Un: 3x230/400 Vac
Extent of operating frequencies fn Fn: 0-50 Hz
Extent of operating currents In: 2,6 A
Thermal class : F
Protection class: IP00
Extent of operating temperatures : -40°C + 40°C

SKY3TL15-2-200Hz



TECHNICAL PARAMETERS :

Nominal operating voltage Un: 3x230/400 Vac
Extent of operating frequencies fn Fn: 0-200 Hz
Extent of operating currents In: 15 A
Thermal class : F
Protection class: IP00
Extent of operating temperatures : -40°C + 40°C

SKY3TL17-1,7



TECHNICAL PARAMETERS :

Nominal operating voltage Un: 3x230/400 Vac
Extent of operating frequencies fn Fn: 0-50 Hz
Extent of operating currents In: 17 A
Thermal class : F
Protection class: IP00
Extent of operating temperatures : -40°C + 40°C

SKY3TL32-0,38



TECHNICAL PARAMETERS :

Nominal operating voltage Un: 3x230/400 Vac
Extent of operating frequencies fn Fn: 0-50 Hz
Extent of operating currents In: 32 A
Protection class: IP00
Extent of operating temperatures : -40°C + 40°C

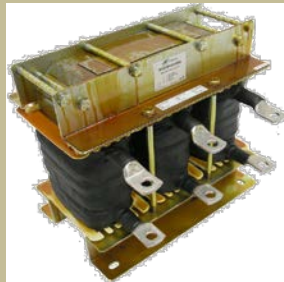
SKY3TL50-0,4



TECHNICAL PARAMETERS :

Nominal operating voltage Un: 3x230/400 Vac
Extent of operating frequencies fn Fn: 0-50 Hz
Extent of operating currents In: 50 A
Protection class: IP00
Extent of operating temperatures : -40°C + 40°C

SKY3TL200-0,05-300Hz



TECHNICAL PARAMETERS :

Nominal operating voltage Un: 3x230/400 Vac
Extent of operating frequencies fn Fn: 0-300 Hz
Extent of operating currents In: 200 A
Protection class: IP00
Extent of operating temperatures : -40°C + 40°C

SKY3TL216-0,068



TECHNICAL PARAMETERS :

Nominal operating voltage Un: 3x230/400 Vac
Extent of operating frequencies fn Fn: 0-50 Hz
Extent of operating currents In: 216 A
Protection class: IP00
Extent of operating temperatures : -40°C + 40°C

SKY3TL350-0,07



TECHNICAL PARAMETERS :

Nominal operating voltage Un: 3x230/400 Vac
Extent of operating frequencies fn Fn: 0-50 Hz
Extent of operating currents In: 350 A
Protection class: IP00
Extent of operating temperatures : -40°C + 40°C

SKY3TL396-0,037



TECHNICAL PARAMETERS :

Nominal operating voltage Un: 3x230/400 Vac
Extent of operating frequencies fn Fn: 0-50 Hz
Extent of operating currents In: 396 A
Protection class: IP00
Extent of operating temperatures : -40°C + 40°C

SKY3TL420-0,06



TECHNICAL PARAMETERS :

Nominal operating voltage Un: 3x230/400 Vac
Extent of operating frequencies fn Fn: 0-50 Hz
Extent of operating currents In: 420 A
Protection class: IP00
Extent of operating temperatures : -40°C + 40°C

SKY3TL720-0,032



TECHNICAL PARAMETERS :

Nominal operating voltage Un: 3x230/400 Vac
Extent of operating frequencies fn Fn: 0-50 Hz
Extent of operating currents In: 720 A
Protection class: IP00
Extent of operating temperatures : -40°C + 40°C

SKY3TL800-0,014



TECHNICAL PARAMETERS :

Nominal operating voltage Un: 3x230/400 Vac
Extent of operating frequencies fn Fn: 0-50 Hz
Extent of operating currents In: 800 A
Protection class: IP00
Extent of operating temperatures : -40°C + 40°C

SKY3TL80-0,38E



TECHNICAL PARAMETERS :

Nominal operating voltage Un: 3x230/400 Vac
Extent of operating frequencies fn Fn: 0-50 Hz
Extent of operating currents In: 80 A
Protection class: IP00
Extent of operating temperatures : -40°C + 40°C

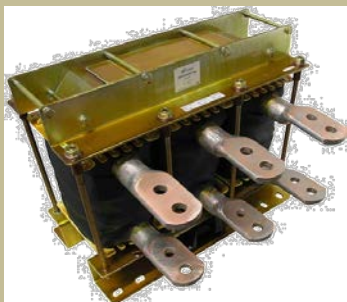
SKY3TL110-0,28E



TECHNICAL PARAMETERS :

Nominal operating voltage Un: 3x230/400 Vac
Extent of operating frequencies fn Fn: 0-50 Hz
Extent of operating currents In: 110 A
Protection class: IP00
Extent of operating temperatures : -40°C + 40°C

SKY3TL1600-0,018-120Hz



TECHNICAL PARAMETERS :

Nominal operating voltage Un: 3x230/400 Vac
Extent of operating frequencies fn Fn: 0-120 Hz
Extent of operating currents In: 1600 A
Protection class: IP00
Extent of operating temperatures : -40°C + 40°C

SKY3TLT10-2,2-rev.1



TECHNICAL PARAMETERS :

Nominal operating voltage	Un: 3x500 Vac
Extent of operating frequencies fn	Fn: 50-60 Hz
Extent of operating currents	In: 10 A
Protection class: IP00	

SKY3TL260-0,056



TECHNICAL PARAMETERS :

Nominal operating voltage	Un: 3x0-400 Vac
Extent of operating frequencies fn	Fn: 0-50 Hz
Extent of operating currents	In: 260 A
Thermal class : F	
Protection class: IP00	
Extent of operating temperatures :	0°C + 40°C

SKY3TL400-0,04



TECHNICAL PARAMETERS :

Nominal operating voltage	Un: 3x500 Vac
Extent of operating frequencies fn	Fn: 50-60 Hz
Extent of operating currents	In: 400 A
Protection class: IP00	
Extent of operating temperatures :	0°C + 40°C

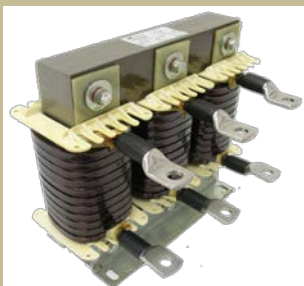
SKY3TL200-0,2



TECHNICAL PARAMETERS :

Nominal operating voltage	Un: 3x500 Vac
Extent of operating frequencies fn	Fn: 50-60 Hz
Extent of operating currents	In: 200 A
Protection class: IP00	
Extent of operating temperatures :	0°C + 40°C

SKY3TL230-0,1



TECHNICAL PARAMETERS :

Nominal operating voltage	Un: 3x230/400 Vac
Extent of operating frequencies fn	Fn: 0-50 Hz
Extent of operating currents	In: 230 A
Protection class: IP00	
Extent of operating temperatures :	-40°C + 40°C

SKY3TL3,3-8



TECHNICAL PARAMETERS :

Nominal operating voltage	Un: 3x500 Vac
Extent of operating frequencies fn	Fn: 50-60 Hz
Extent of operating currents	In: 3,3 A
Protection class: IP00	
Extent of operating temperatures :	-40°C + 40°C

SKY3TL5-5



TECHNICAL PARAMETERS :

Nominal operating voltage	Un: 3x500 Vac
Extent of operating frequencies fn	Fn: 50-60 Hz
Extent of operating currents	In: 5 A
Protection class: IP00	
Extent of operating temperatures :	-40°C + 40°C

SKY3TL11-2,5



TECHNICAL PARAMETERS :

Nominal operating voltage	Un: 3x500 Vac
Extent of operating frequencies fn	Fn: 50-60 Hz
Extent of operating currents	In: 11 A
Protection class: IP00	
Extent of operating temperatures :	-40°C + 40°C

SKY3TL20-1,4



TECHNICAL PARAMETERS :

Nominal operating voltage	Un: 3x500 Vac
Extent of operating frequencies fn	Fn: 50-60 Hz
Extent of operating currents	In: 20 A
Protection class: IP00	
Extent of operating temperatures :	-40°C + 40°C

SKY3TL25-0,25



TECHNICAL PARAMETERS :

Nominal operating voltage	Un: 3x500 Vac
Extent of operating frequencies fn	Fn: 50-60 Hz
Extent of operating currents	In: 25 A
Protection class: IP00	
Extent of operating temperatures :	-40°C + 40°C

SKY3TL42-0,6



TECHNICAL PARAMETERS :

Nominal operating voltage	Un: 3x500 Vac
Extent of operating frequencies fn	Fn: 50-60 Hz
Extent of operating currents	In: 42 A
Protection class: IP00	
Extent of operating temperatures :	-40°C + 40°C

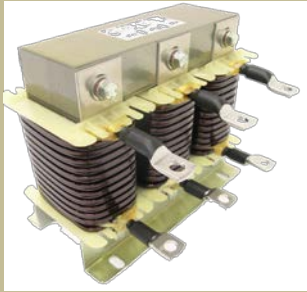
SKY3TL76-0,36



TECHNICAL PARAMETERS :

Nominal operating voltage	Un: 3x500 Vac
Extent of operating frequencies fn	Fn: 50-60 Hz
Extent of operating currents	In: 76 A
Protection class: IP00	
Extent of operating temperatures :	-40°C + 40°C

SKY3TL112-0,23



TECHNICAL PARAMETERS :

Nominal operating voltage Un: 3x500 Vac
Extent of operating frequencies fn Fn: 50-60 Hz
Extent of operating currents In: 112 A
Protection class: IP00
Extent of operating temperatures : -40°C + 40°C

SKY3TL140-0,1



TECHNICAL PARAMETERS :

Nominal operating voltage Un: 3x500 Vac
Extent of operating frequencies fn Fn: 50-60 Hz
Extent of operating currents In: 140 A
Thermal class: F
Protection class: IP00
Extent of operating temperatures : -40°C + 40°C

SKY3TL140-0,1E 2%



TECHNICAL PARAMETERS :

Nominal operating voltage Un: 3x500 Vac
Extent of operating frequencies fn Fn: 50-60 Hz
Extent of operating currents In: 140 A
Thermal class: F
Protection class: IP00
Extent of operating temperatures : -40°C + 40°C

SKY3TL140-0,15



TECHNICAL PARAMETERS :

Nominal operating voltage Un: 3x500 Vac
Extent of operating frequencies fn Fn: 50-60 Hz
Extent of operating currents In: 140 A
Thermal class: F
Protection class: IP00
Extent of operating temperatures : -40°C + 40°C

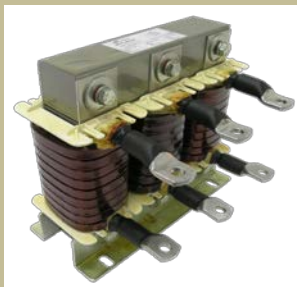
SKY3TL150-0,2-690Vac



TECHNICAL PARAMETERS :

Nominal operating voltage Un: 3x690 Vac
Extent of operating frequencies fn Fn: 50-60 Hz
Extent of operating currents In: 150 A
Thermal class: F
Protection class: IP00
Extent of operating temperatures : -40°C + 40°C

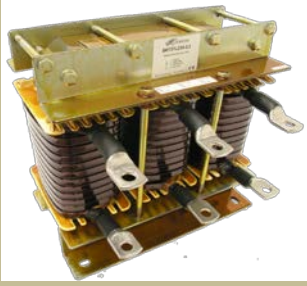
SKY3TL220-0,07



TECHNICAL PARAMETERS :

Nominal operating voltage Un: 3x690 Vac
Extent of operating frequencies fn Fn: 50 Hz
Extent of operating currents In: 220 A
Thermal class: F
Protection class: IP00
Extent of operating temperatures : -40°C + 40°C

SKY3TL230-0,2



TECHNICAL PARAMETERS :

Nominal operating voltage Un: 3x500 Vac
Extent of operating frequencies fn Fn: 50 Hz
Extent of operating currents In: 230 A
Thermal class: F
Protection class: IP00
Extent of operating temperatures : -40°C + 40°C

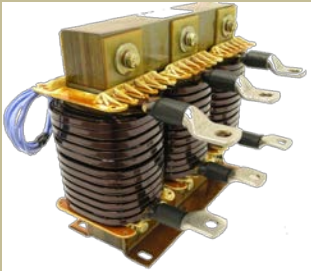
SKY3TL250-0,06



TECHNICAL PARAMETERS :

Nominal operating voltage Un: 3x500 Vac
Extent of operating frequencies fn Fn: 50-60 Hz
Extent of operating currents In: 250 A
Thermal class: F
Protection class: IP00
Extent of operating temperatures : -40°C + 40°C

SKY3TL250-0,11



TECHNICAL PARAMETERS :

Nominal operating voltage Un: 3x500 Vac
Extent of operating frequencies fn Fn: 50-60 Hz
Extent of operating currents In: 250 A
Thermal class: F
Protection class: IP00
Extent of operating temperatures : -40°C + 40°C

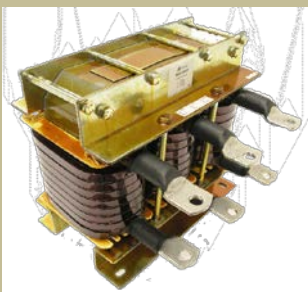
SKY3TL315-0,047



TECHNICAL PARAMETERS :

Nominal operating voltage Un: 3x0-400 Vac
Extent of operating frequencies fn Fn: 0-50 Hz
Extent of operating currents In: 315 A
Thermal class: F
Protection class: IP00
Extent of operating temperatures : -40°C + 40°C

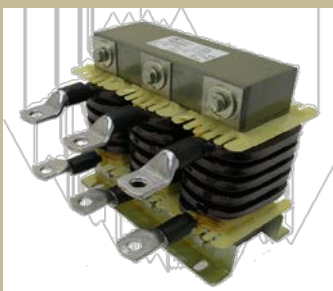
SKY3TL380-0,09



TECHNICAL PARAMETERS :

Nominal operating voltage Un: 3x500 Vac
Extent of operating frequencies fn Fn: 50-60 Hz
Extent of operating currents In: 380 A
Protection class: IP00
Extent of operating temperatures : -40°C + 40°C

SKY3TL420-0,03B



TECHNICKÉ PARAMETRY :

Nominal operating voltage Un: 3x500 Vac
Extent of operating frequencies fn Fn: 50-60 Hz
Extent of operating currents In: 420 A
Thermal class: F
Protection class: IP00
Extent of operating temperatures : -40°C + 40°C

SKY3TL700-0,019

**TECHNICKÉ PARAMETRY :**

Nominal operating voltage Fn: 0-50 Hz
 Extent of operating frequencies fn In: 700 A
 Extent of operating currents
 Thermal class: F
 Extent of operating temperatures : -40°C + 40°C

SKY3TL700-0,036

**TECHNICKÉ PARAMETRY :**

Extent of operating frequencies fn Fn: 0-50 Hz
 Extent of operating currents In: 700 A
 Thermal class: F
 Protection class: IP00
 Extent of operating temperatures : -40°C + 40°C

SKY3TL710-0,05

**TECHNICKÉ PARAMETRY :**

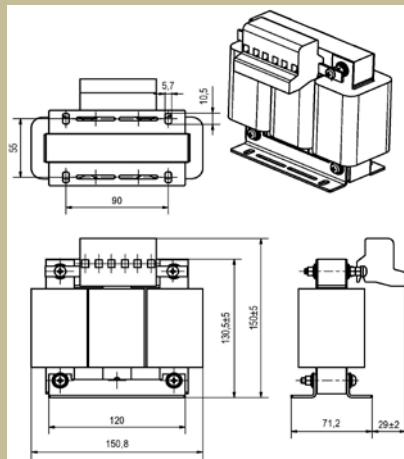
Nominal operating voltage Un: 3x0-420 Vac
 Extent of operating frequencies fn Fn: 0-50 Hz
 Extent of operating currents In: 710 A
 Protection class: IP00
 Extent of operating temperatures : -40°C + 40°C

Type	Nominal current [A]	Inductance ±20% [mH]	Weight [kg]	Conductor cross section [mm ²]	basic dimensions [mm]					
					A	B	C	D	E	F
					length	height	width	pitch	pitch	other
SKY3TL32-0,5P	32	0,5	3,6	16	150,8	150	100,2	90	55	5,7x10,5
SKY3TL50-0,6	3x50	0,6	9	oko 35x8	180	156	147	122	86	7x13
SKY3TL60-0,5	60	0,5	14,3	oko 50x10	210	179	160	175	97	9x15
SKY3TL72-0,5	72	0,5	14,3	oko 50x8	210	179	160	175	97,5	9x15
SKY3TL72-30µH	3x72	0,03	3,9	16	172	131	109	150	64	-
SKY3TL90-0,3	90	0,3	14,3	oko 50x8	210	179	160	175	97,5	9x15
SKY3TL100-0,25	100	0,25	14	oko 50x8	210	179	160	175	97,5	9x15
SKY3TL110-0,25	110	0,25	14,3	oko 95x10	210	179	160	175	97,5	9x15
SKY3TL150-0,2	150	0,2	25	oko 95x10	240	222	180	185	98	10x18
SKY3TL180-0,16	180	0,16	23	oko 95x10	280	265	180	240	120	9x15
SKY3TL180-0,19	180	0,19	23	oko 95x10	300	290	195	260	111	9x15
SKY3TL200-0,07-80HzCH	200	0,07	34	oko 95x10	380	173	258	351	100	11x20
SKY3TL250-0,07	250	0,07	46	oko 95x10	300	295	215	260	150	9x15
SKY3TL250-0,25	250	0,25	46	oko 185x12	380	350	247	350	134	10x18
SKY3TL410-0,07	410	0,07	55	oko 150x10	380	340	226	350	118	10x18
SKY3TL460-0,06	460	0,06	85	oko 240x12	380	340	242	350	133	10x18
SKY3TL500-0,06	500	0,06	53	oko 240x12	380	340	242	350	133	10x18
SKY3TL600-0,05	600	0,05	70	oko 240x12	380	340	242	350	133	10x18
SKY3TL800-0,035	800	0,035	80	oko 500x16,5	380	345	330	350	150	10x18
SKY3TL840-0,04	840	0,04	120	oko 500x16,5	450	385	360	410	230	13x20
SKY3TL1150-0,012	1150	0,012	95	oko 800x16x2	380	345	275	350	133	13x20
SKY3TL1200-0,02	1200	0,02	120	oko 800x16x2	450	387	320	410	170	13x20
SKY3TL1600-0,008	1600	0,008	130	oko 1000x16x2	380	345	275	350	133	13x20
SKY3TL1600-0,018	1600	0,018	120	oko 1000x16x2	510	460	360	470	210	13x20
SKY3TL2500-0,01	2500	0,01	156	oko 1000x16x2	510	460	390	470	240	13x20
SKY3TL194-0,15	194	0,15	21	oko 120x10	240	208	196	185	104	10x18
SKY3TL2,6-21,5	2,6	21,5	1,1	4	95	97	62	63	41	5,8x11
SKY3TL15-2-200Hz	15	2	4	4	149	134	90	90	69	5,8x11
SKY3TL17-1,7	17	1,7	4	4	149	134	76	90	55	5,8x11
SKY3TL32-0,38	32	0,38	3	16	119	128	102	73	65	5,8x11
SKY3TL50-0,4	50	0,4	8	radox 10	178	154	95	122	74	7x13
SKY3TL200-0,05-300Hz	200	0,05	43	oko 120x12	300	290	238	260	150	9x15
SKY3TL216-0,068	216	0,068	22	oko 95x10	240	240	299	200	121	9x15
SKY3TL350-0,07	350	0,07	49	oko 150x12	380	343	217	350	118	10x18

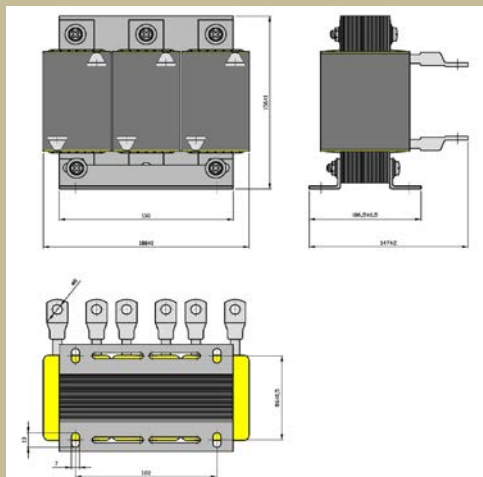
SKY3TL396-0,037	396	0,037	27	oko 185x12	240	240	228	200	130	9x15
SKY3TL420-0,06	420	0,06	50	oko 185x12	380	343	225	350	118	10x18
SKY3TL720-0,032	720	0,032	70	oko 300x12	380	350	291	350	149	10x18
SKY3TL800-0,014	800	0,014	52	oko 300x12	380	343	254	350	118	10x18
SKY3TL80-0,38E	80	0,38	13	oko 50x10	210	178	161	175	91	9x15
SKY3TL110-0,28E	110	0,28	16	oko 70x10	240	208	160	185	85	10x18
SKY3TL1600-0,018-120Hz	1600	0,018	130	oko 800x16x2	510	460	360	470	210	13x20
SKY3TLT110-2,2-rev.1	10	2,2	1,4	4	95	99	70	62,5	50	5,8x11
SKY3TL260-0,056	260	0,056	20	oko 120x12	240	240	187	200	109	9x15
SKY3TL400-0,04	400	0,04	32	oko 150x12	240	238	207	200	120	9x15
SKY3TL200-0,2	200	0,2	32	oko 95x10	300	290	194	260	110	9x15
SKY3TL230-0,1	230	0,1	25	oko 120x12	297	260	190	224	95	10x18
SKY3TL3,3-8	3,3	8	0,6	4	77	82	53	50	31	4,8x9
SKY3TL5-5	5	5	1	4	95	97	62	63	41	5,8x11
SKY3TL11-2,5	11	2,5	2	4	119	116	71	73	55	5,8x11
SKY3TL20-1,4	20	1,4	8,7	16	179	171	120	122	74	7x13
SKY3TL25-0,25	25	0,25	1,5	4	95	97	62	63	41	5,8x11
SKY3TL42-0,6	42	0,6	8	16	179	171	120	122	74	7x13
SKY3TL76-0,36	76	0,36	14	oko 50x10	210	174	165	175	96	9x14
SKY3TL112-0,23	112	0,23	21	oko 50x10	240	208	181	185	104	10x18
SKY3TL140-0,1	140	0,1	8	oko 50x10	178	154	147	122	74	7x13
SKY3TL140-0,1E_2%	140	0,1	17	oko 70x10	240	208	160	185	85	10x18
SKY3TL140-0,15	140	0,15	20	oko 70x10	240	208	178	185	94	10x18
SKY3TL150-0,2-690Vac	150	0,2	18	oko 120x10	240	208	190	185	104	10x18
SKY3TL220-0,07	220	0,07	17	oko 95x10	240	208	166	185	85	10x18
SKY3TL230-0,2	230	0,2	46	oko 150x12	300	290	245	160	150	9x15
SKY3TL250-0,06	250	0,06	19	oko 95x10	240	208	175	185	94	10x18
SKY3TL250-0,11	250	0,11	26	oko 150x12	297	260	192	224	95	10x18
SKY3TL315-0,047	315	0,047	35	oko 120x12	240	240	197	200	109	9x15
SKY3TL380-0,09	380	0,09	53	oko 240x12	300	290	261	260	150	9x15
SKY3TL420-0,03B	420	0,03	22	oko 150x12	240	208	190	185	105	10x18
SKY3TL700-0,019	700	0,019	85	oko 400x16	380	347	299	350	148	10x18
SKY3TL700-0,036	700	0,036	120	oko 400x16	450	398	336	410	200	13x20
SKY-TL710-0,05	710	0,05	79	oko 240x12	450	393	280	410	170	13x20

* Po dohodě je možno konstrukci filtru upravit podle požadavku zákazníka.

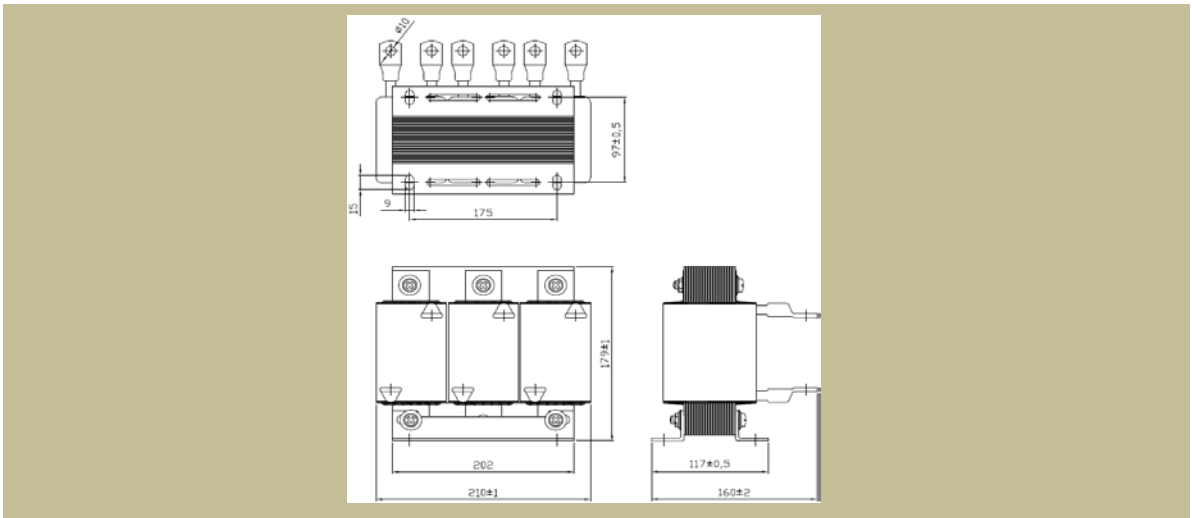
SKY3TL32-0,5P



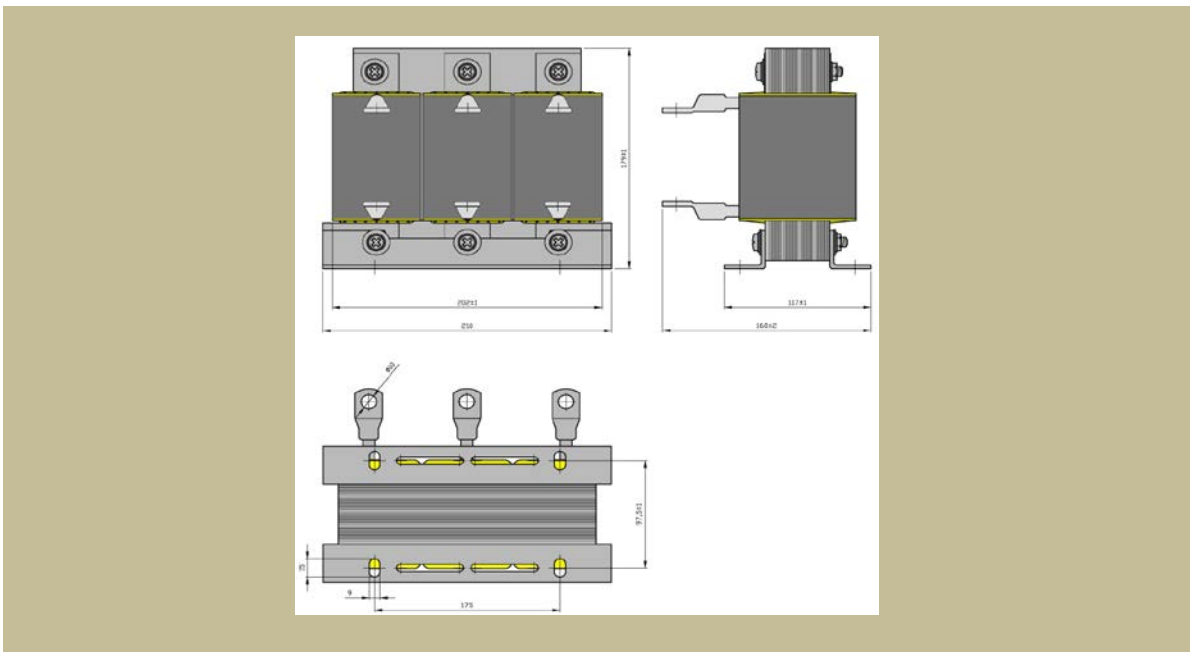
SKY3TL50-0,6



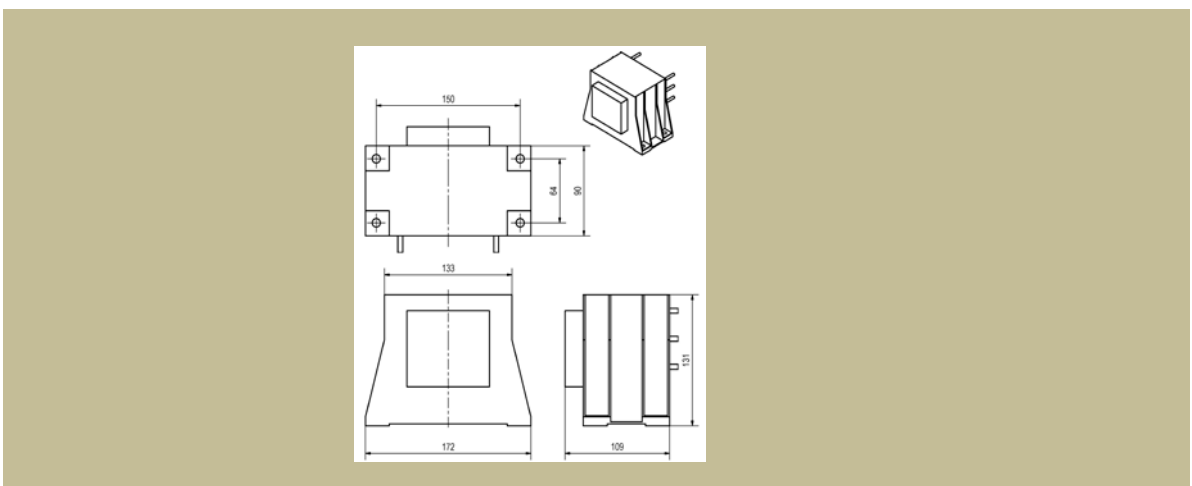
SKY3TL60-0,5



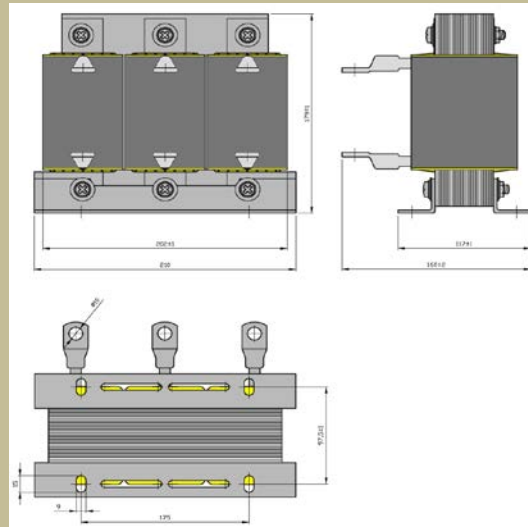
SKY3TL72-0,5



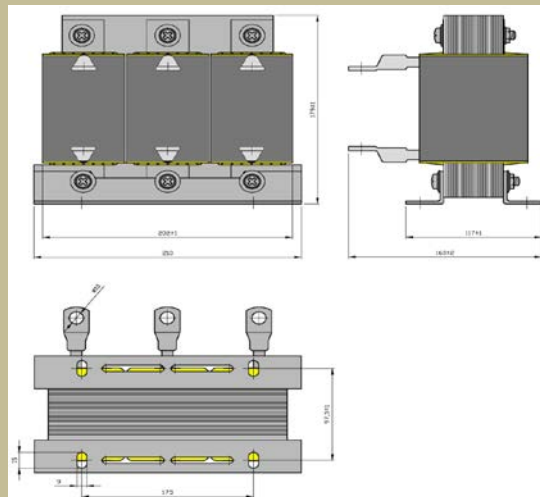
SKY3TL72-30μH



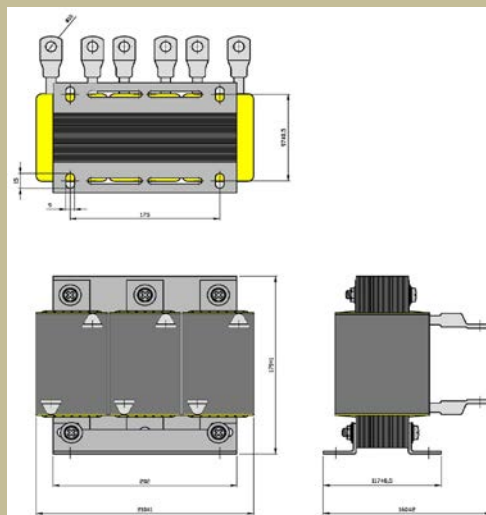
SKY3TL90-0,3



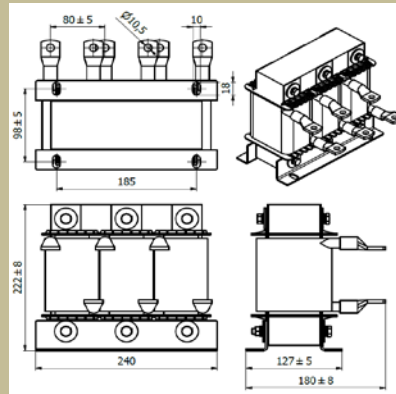
SKY3TL100-0,25



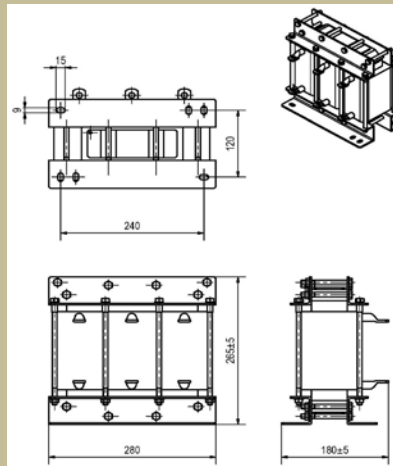
SKY3TL110-0,25



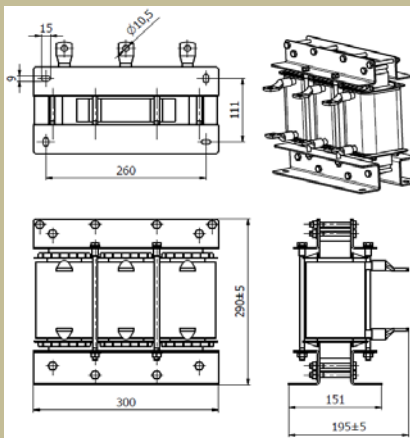
SKY3TL150-0,2



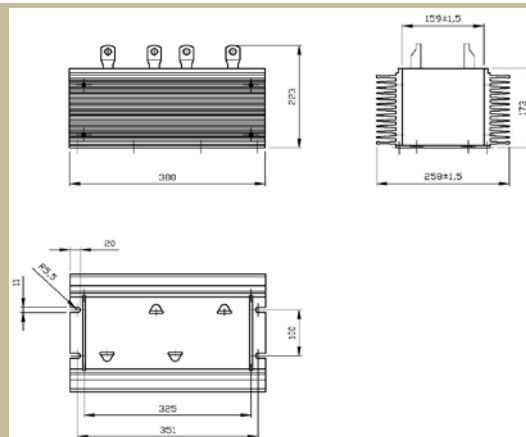
SKY3TL180-0,16



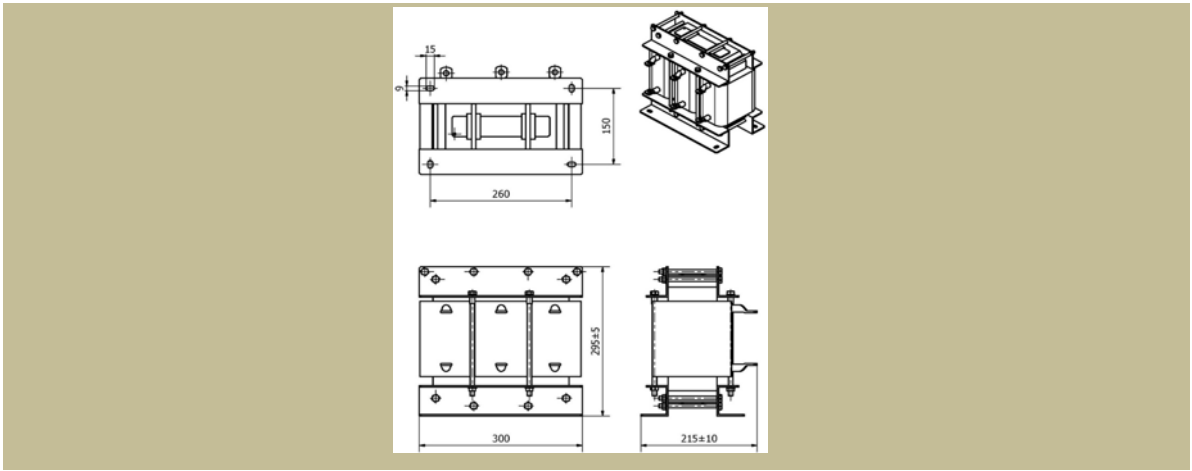
SKY3TL180-0,19



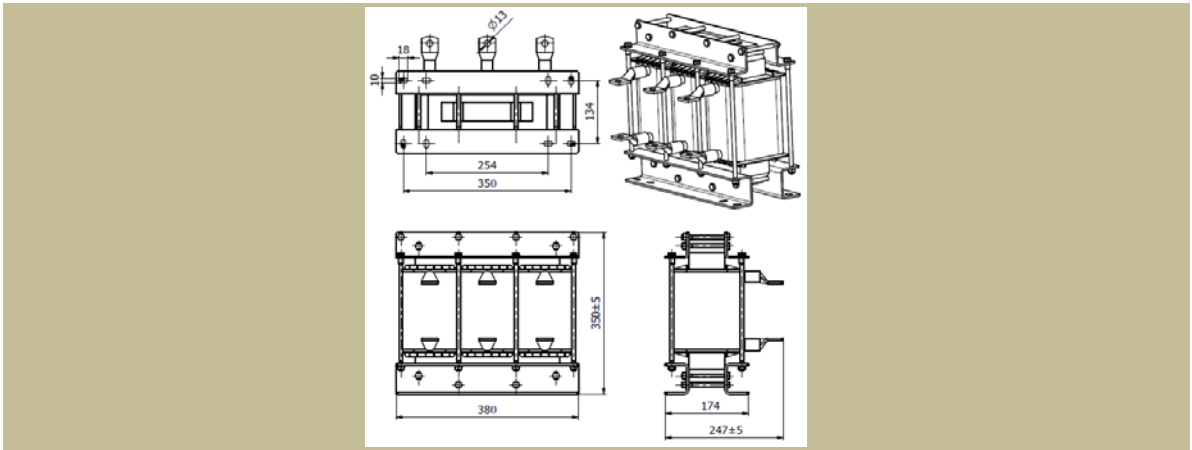
SKY3TL200-0,07-80HzCH



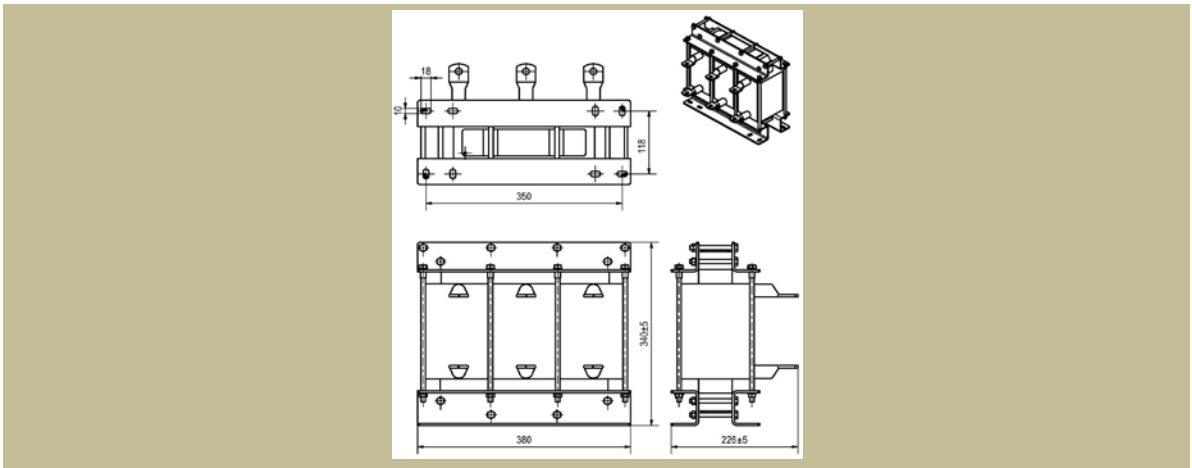
SKY3TL250-0,07



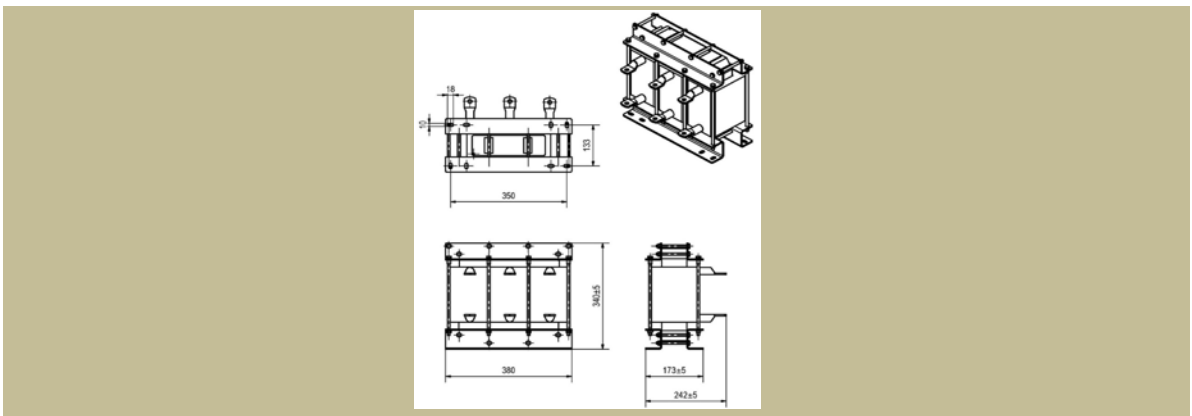
SKY3TL250-0,25



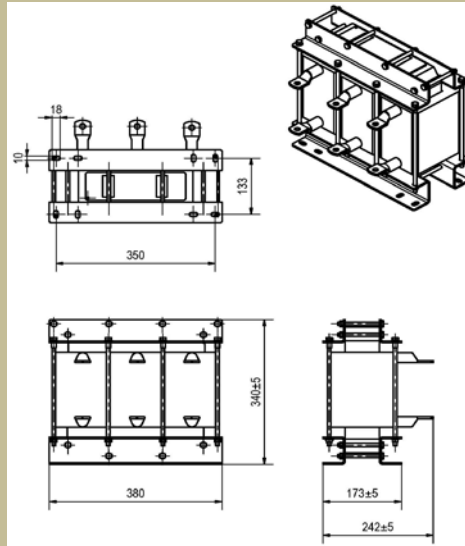
SKY3TL410-0,07



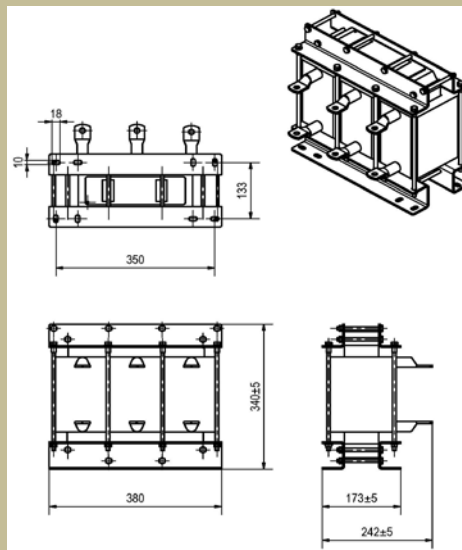
SKY3TL460-0,06



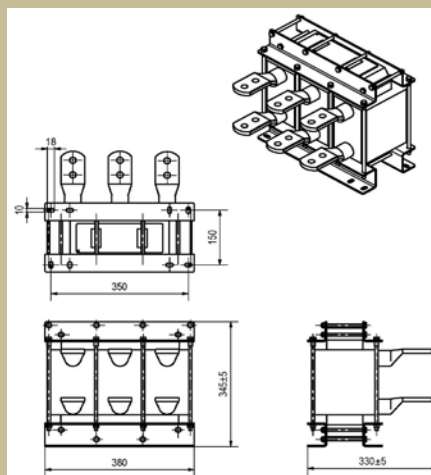
SKY3TL500-0,06

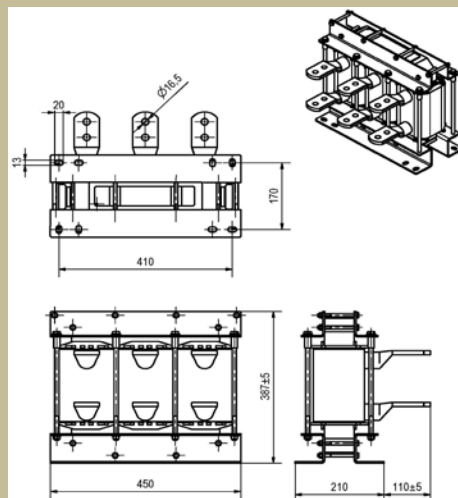
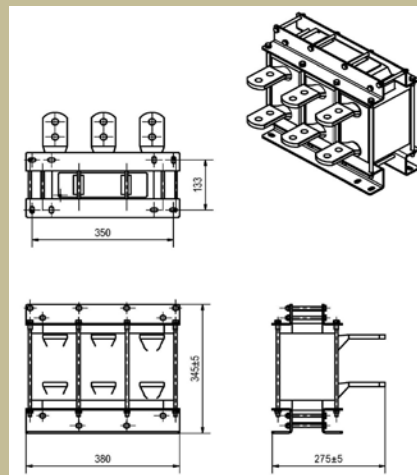
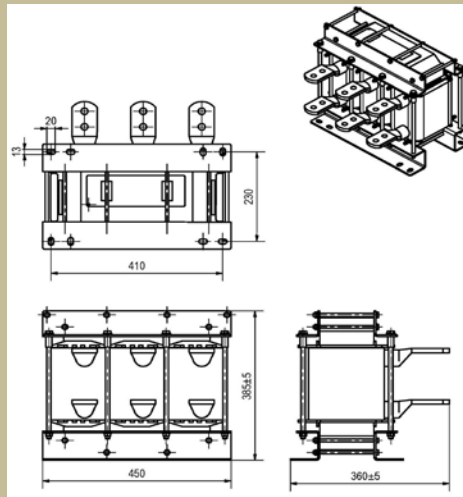


SKY3TL600-0,05

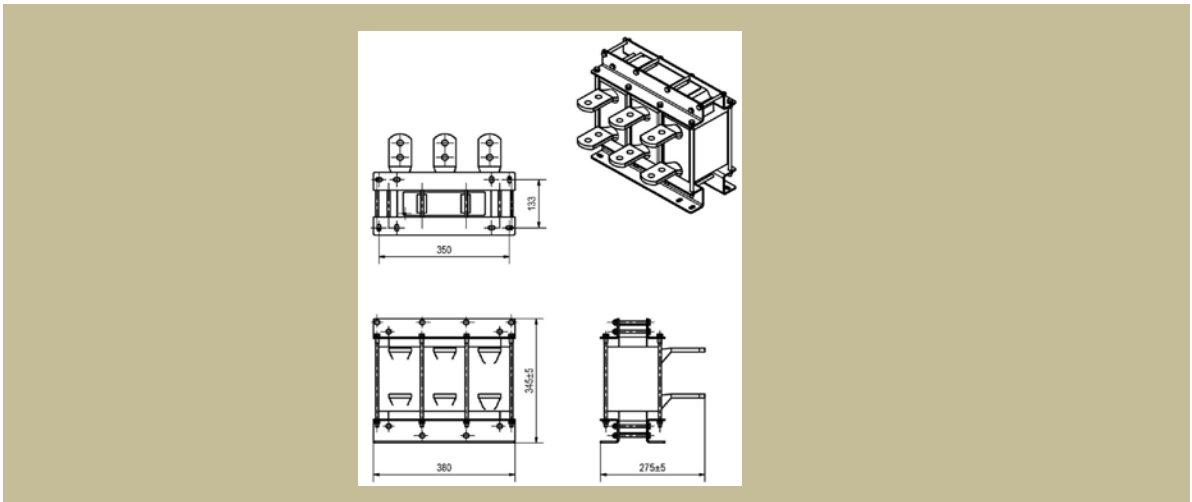


SKY3TL800-0,035

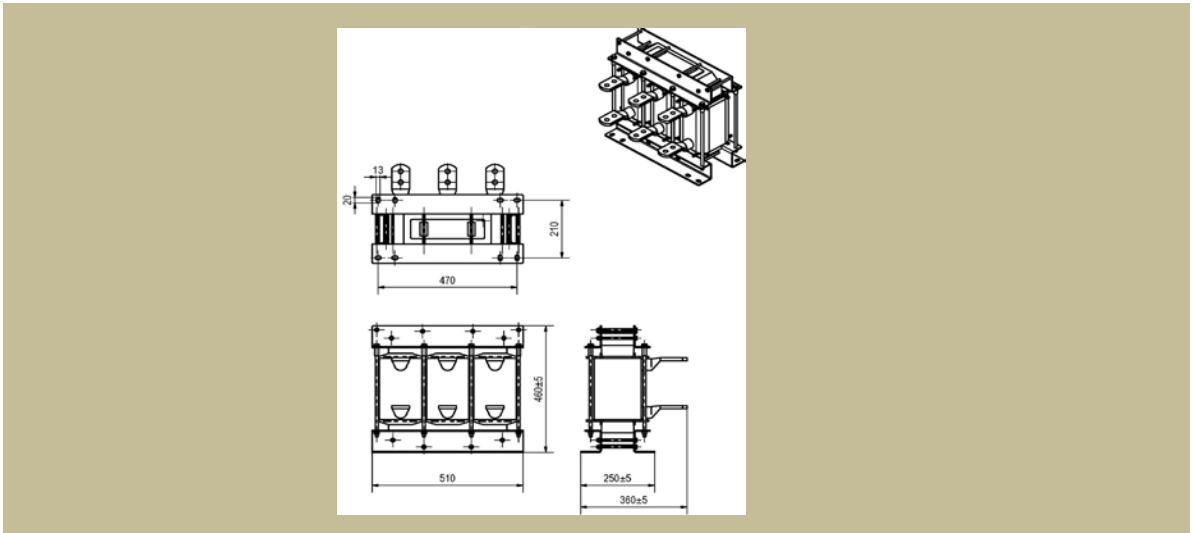




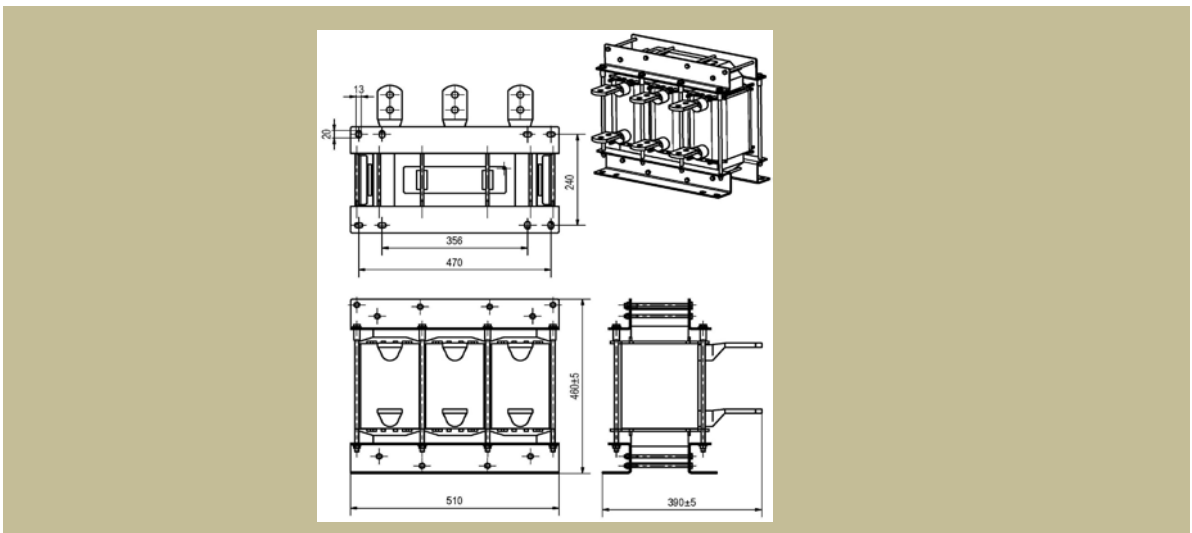
SKY3TL1600-0,008



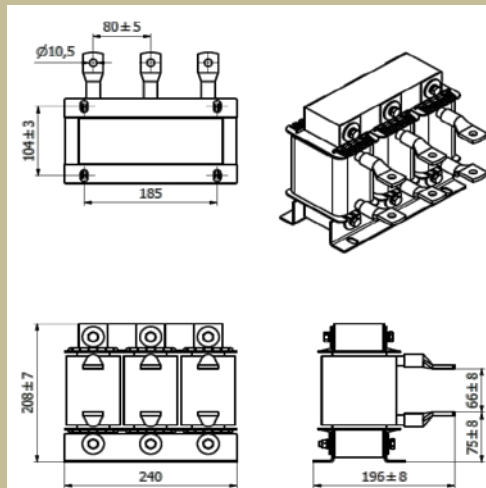
SKY3TL1600-0,018



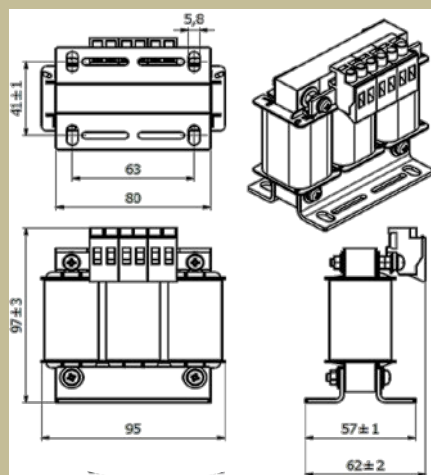
SKY3TL2500-0,01



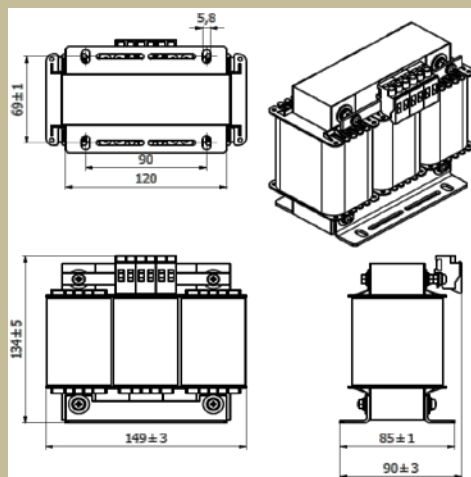
SKY3TL194-0,15



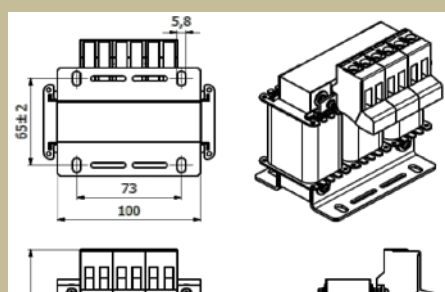
SKY3TL2,6-21,5

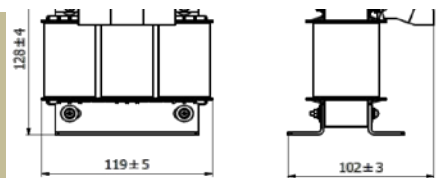


SKY3TL15-2-200Hz, SKY3TL17-1,7

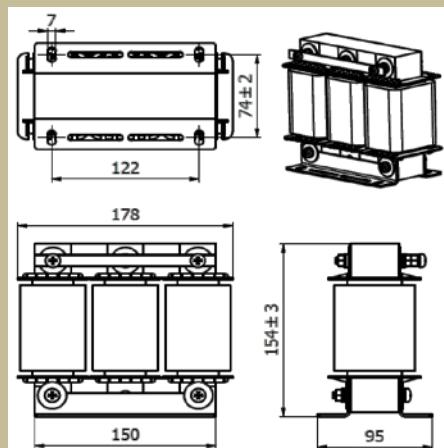


SKY3TL32-0,38

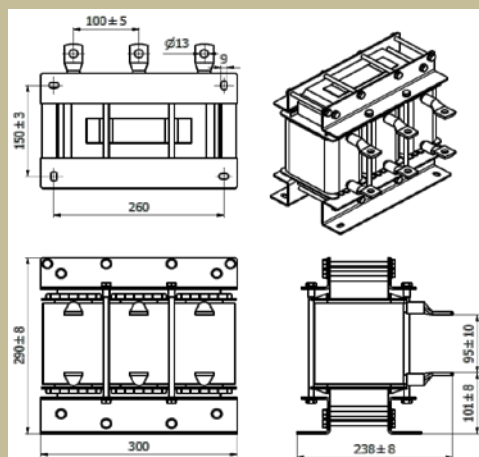




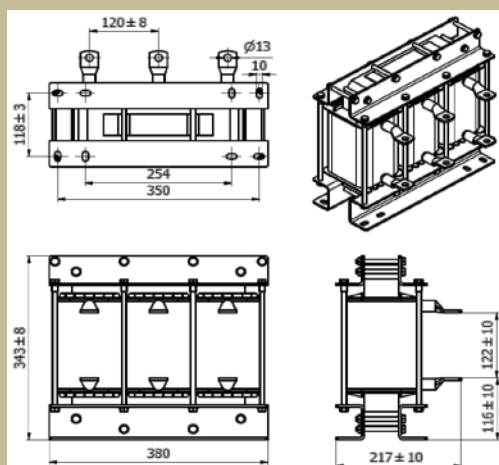
SKY3TL50-0,4



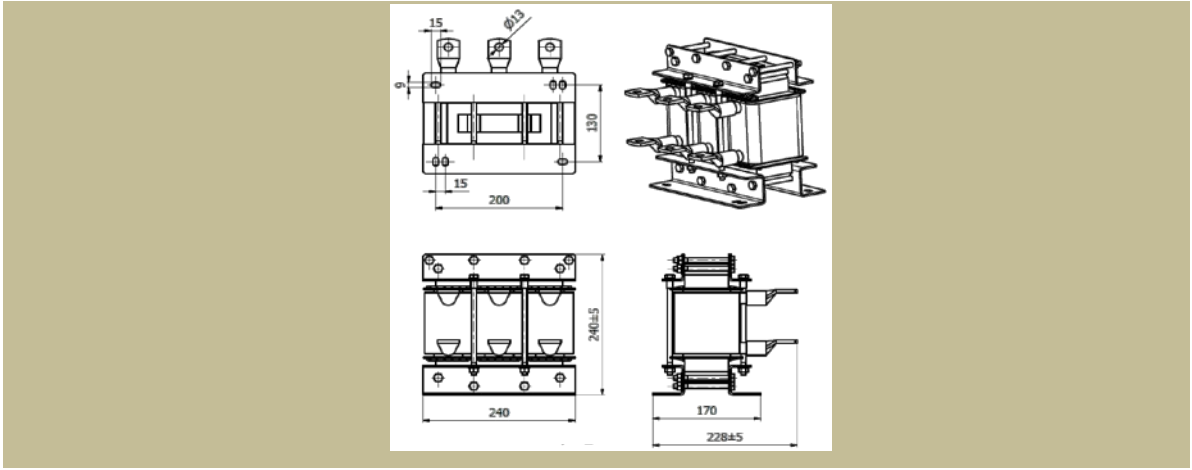
SKY3TL200-0,05-300Hz, SKY3TL216-0,069



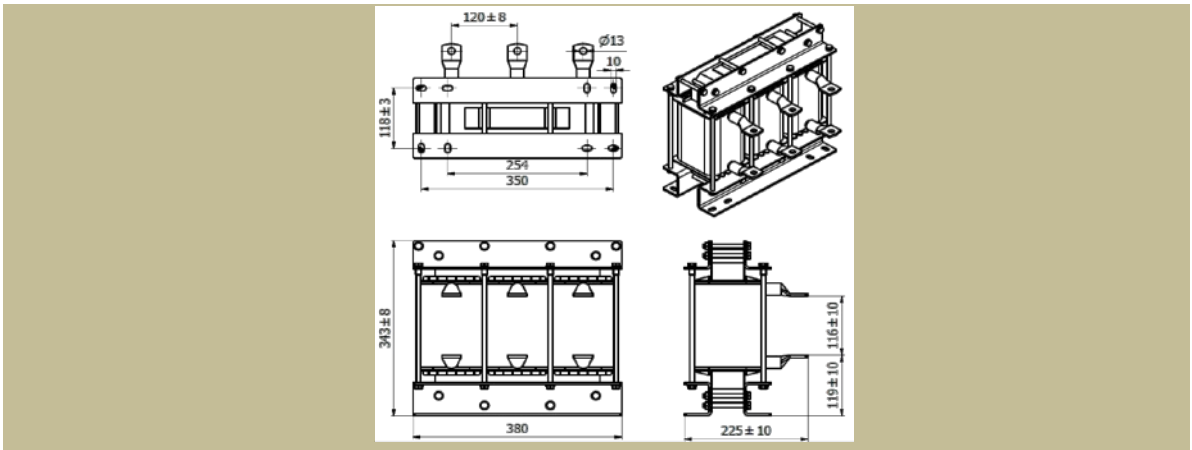
SKY3TL350-0,07



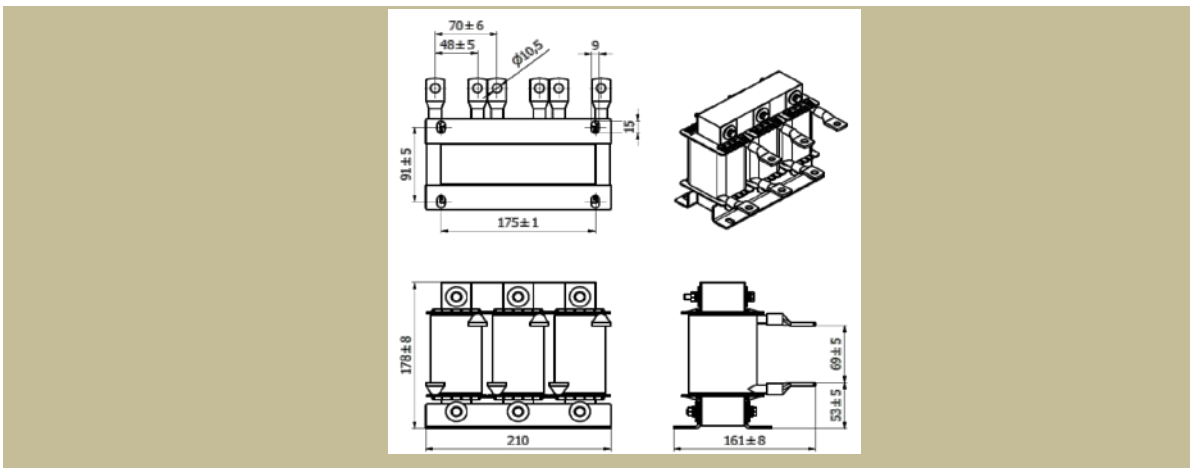
SKY3TL396-0,037



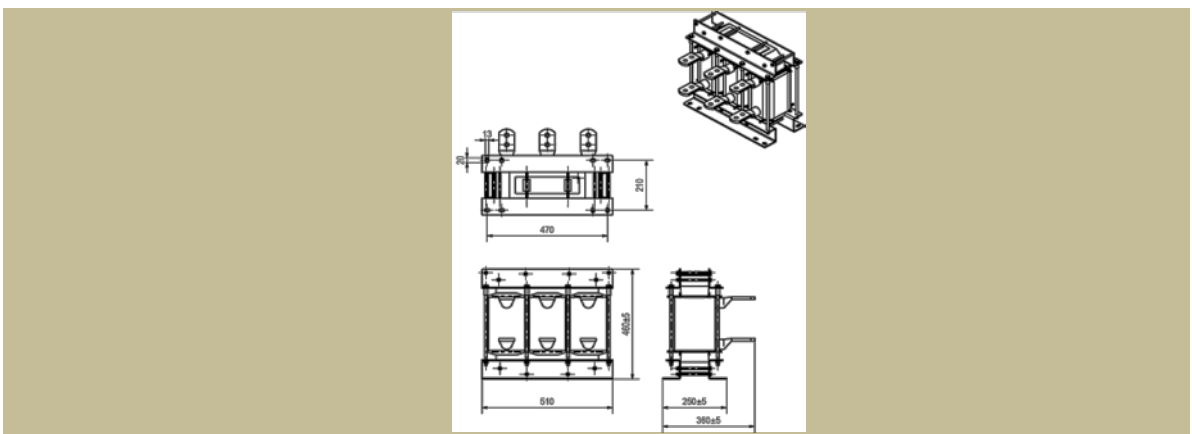
SKY3TL420-0,06, SKY3TL720-0,032, SKY3TL800-0,014



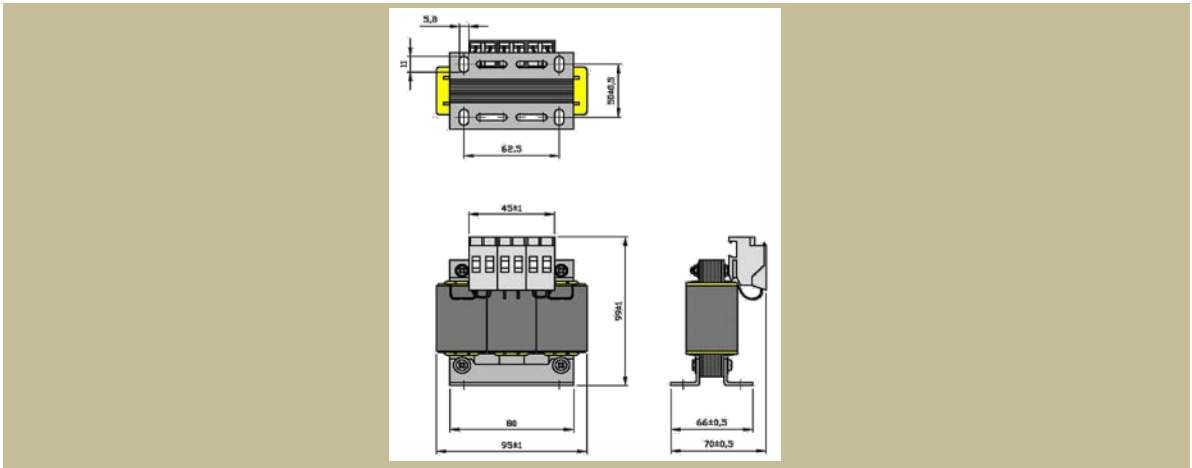
SKY3TL80-0,38E, SKY3TL110-0,28E



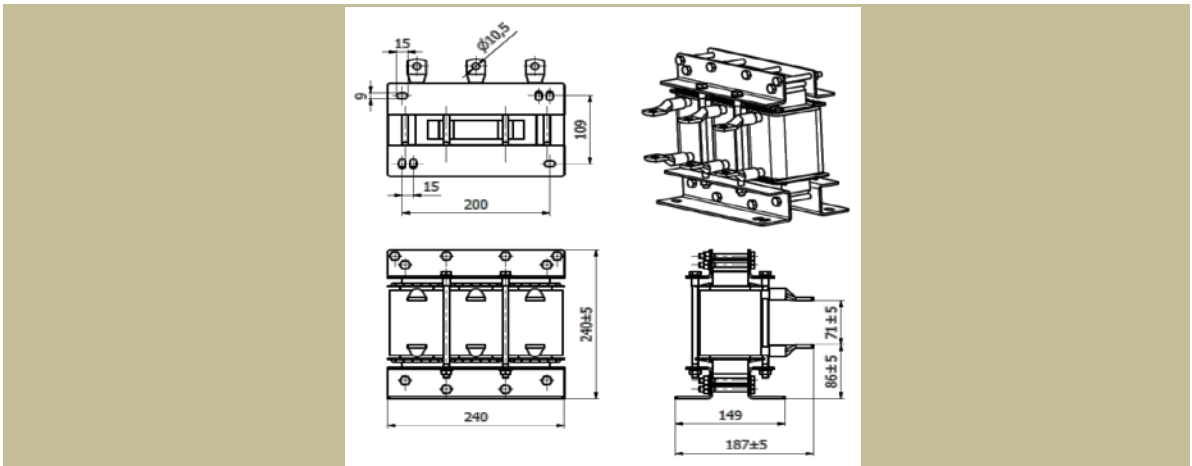
SKY3TL1600-0,018-120Hz



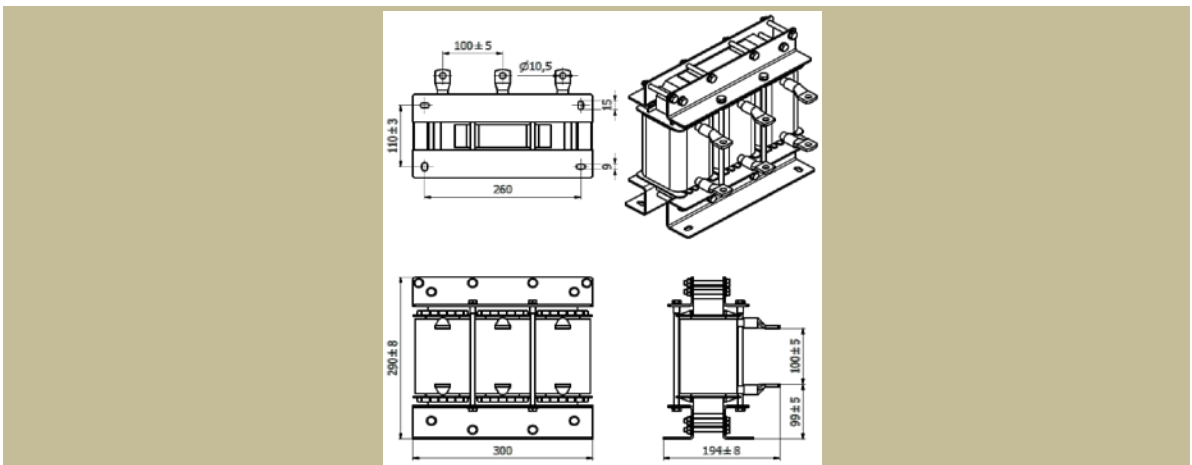
SKY3TLT10-2,2-rev.1



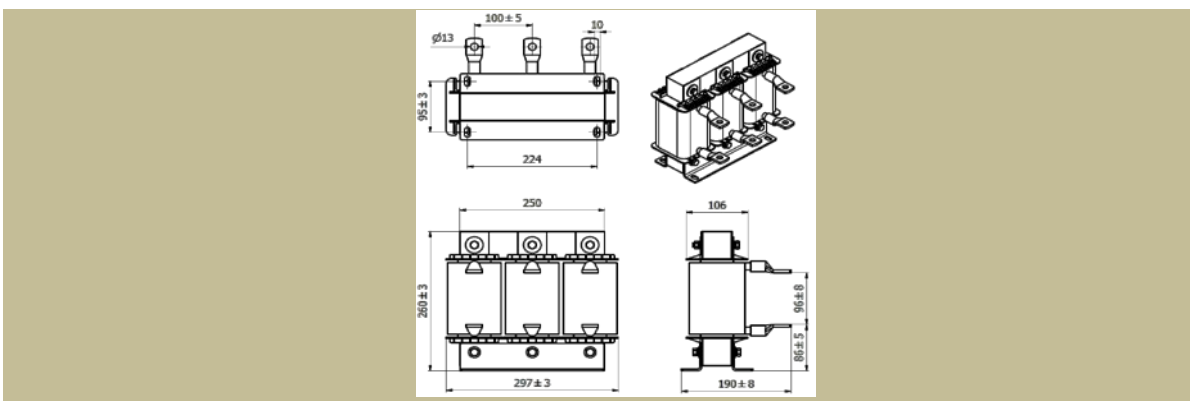
SKY3TL260-0,056, SKY3TL400-0,04



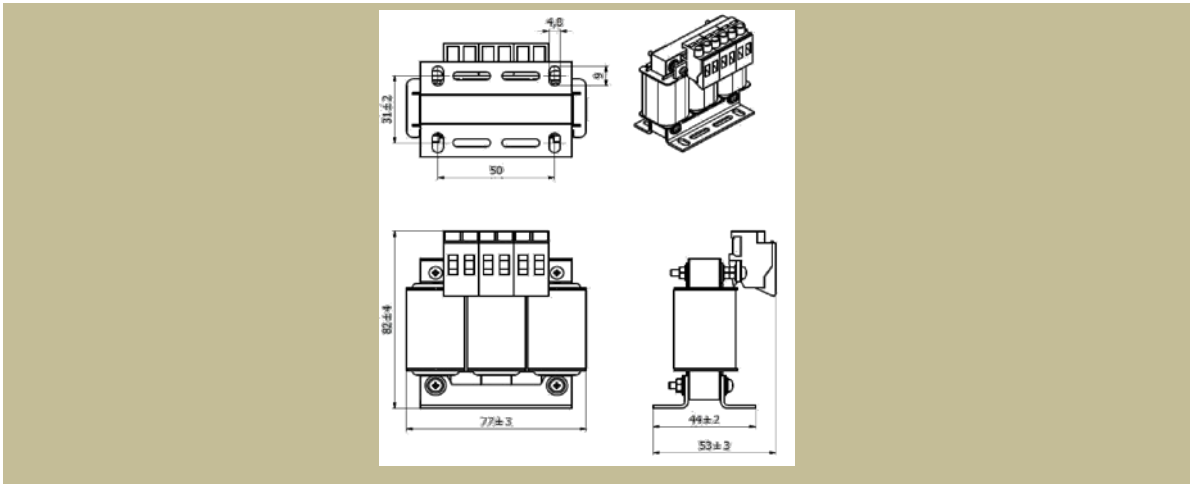
SKY3TL200-0,2



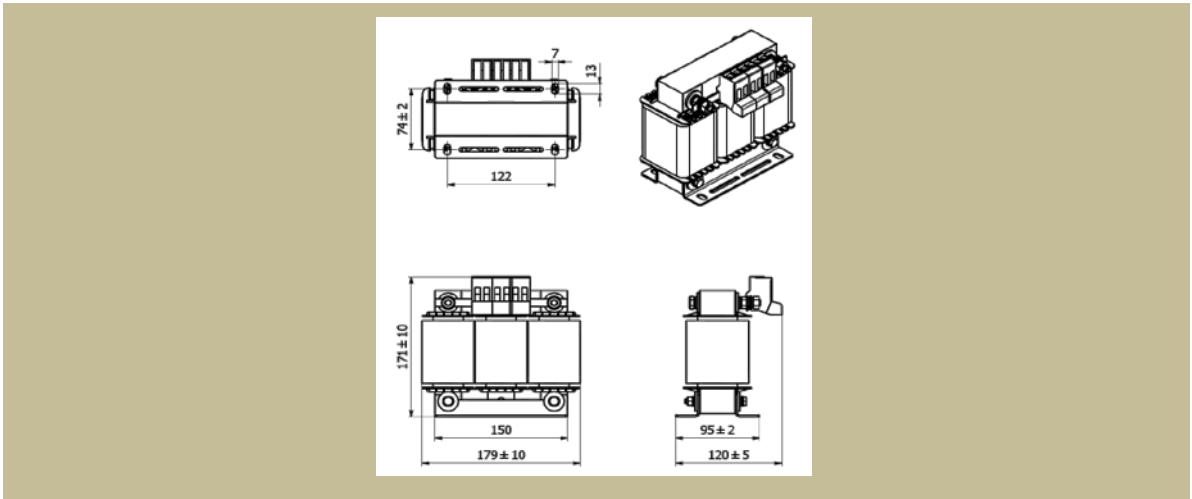
SKY3TL230-0,1



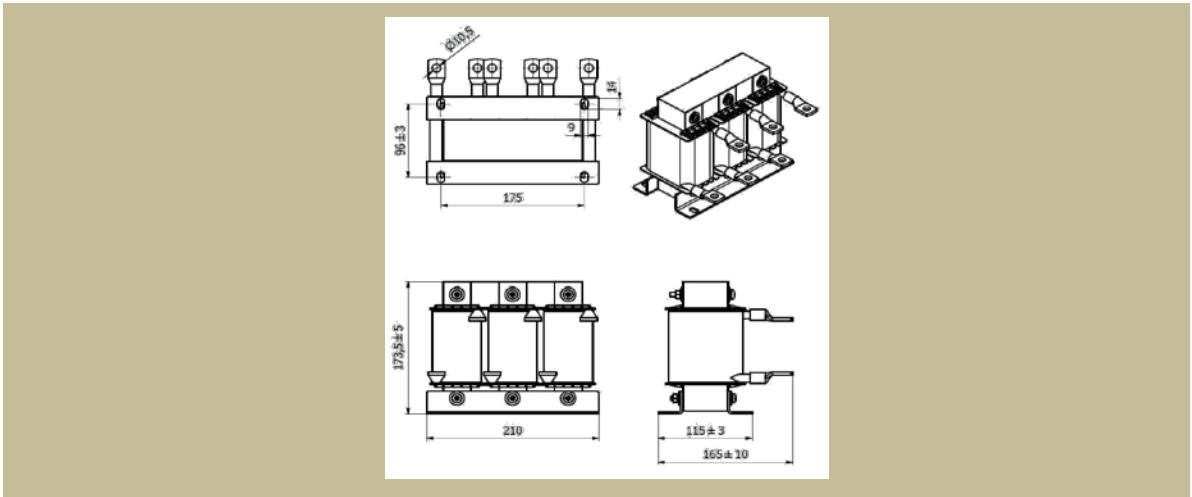
SKY3TL3,3-8, SKY3TL5-5, SKY3TL11-2,5, SKY3TL25-0,25



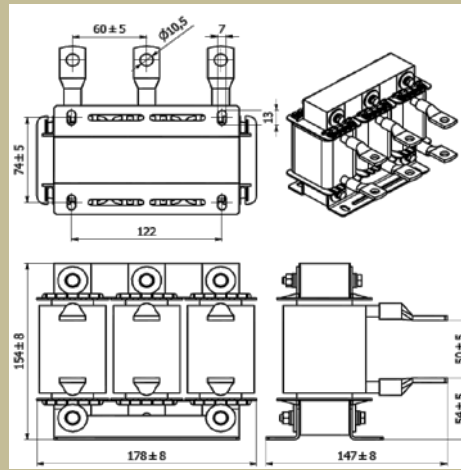
SKY3TL20-1,4, SKY3TL42-0,6



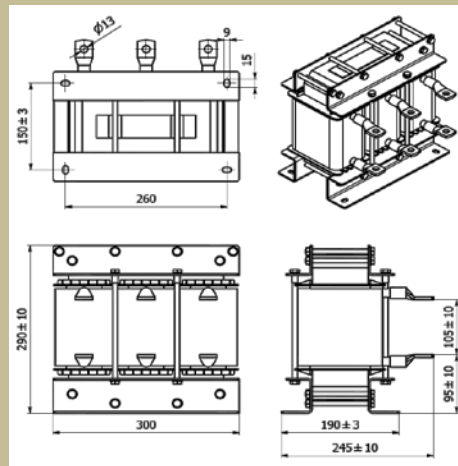
**SKY3TL76-0,36, SKY3TL112-0,23, SKYTL140-0,1E 2%, SKYTL140-0,15, SKY3TL150-0,2-690Vac
SKY3TL220-0,07, SKY3TL250-0,06**



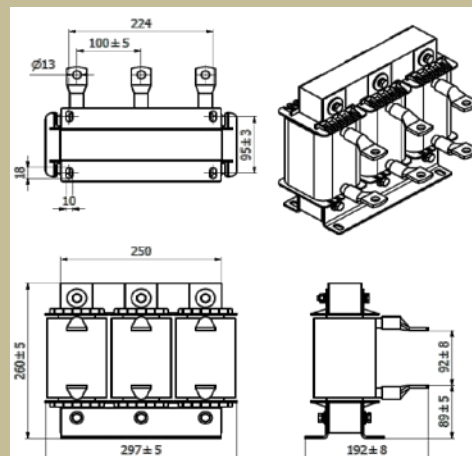
SKY3TL140-0,1 :



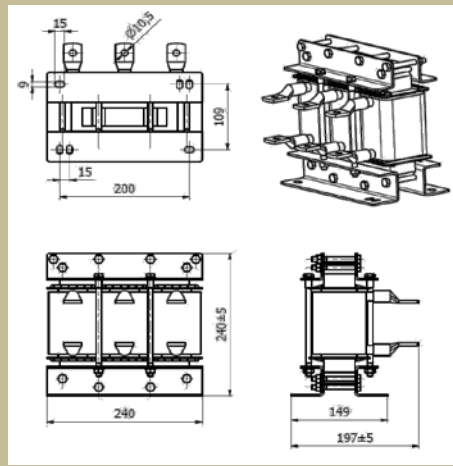
SKY3TL230-0,2 :



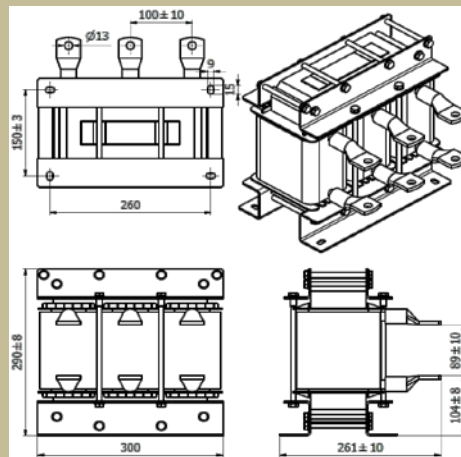
SKY3TL250-0,11



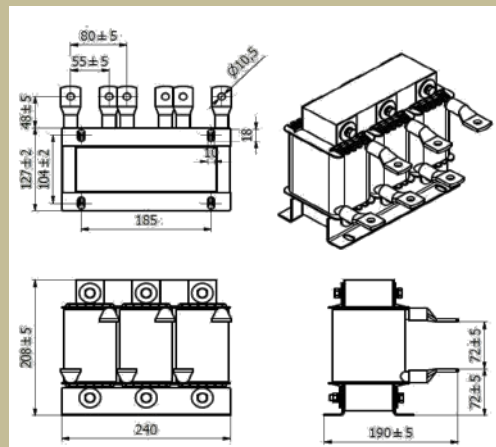
SKY3TL315-0,047



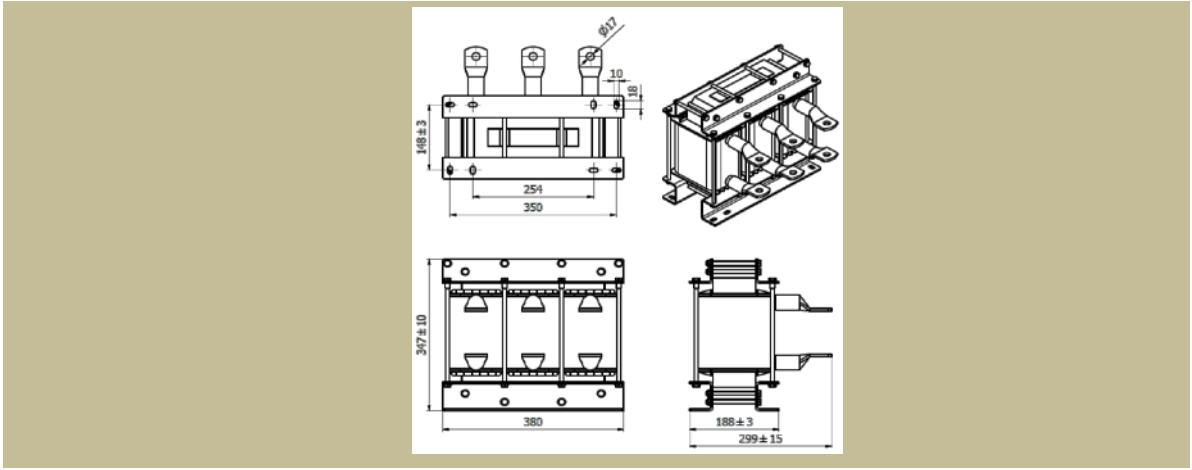
SKY3TL380-0,09



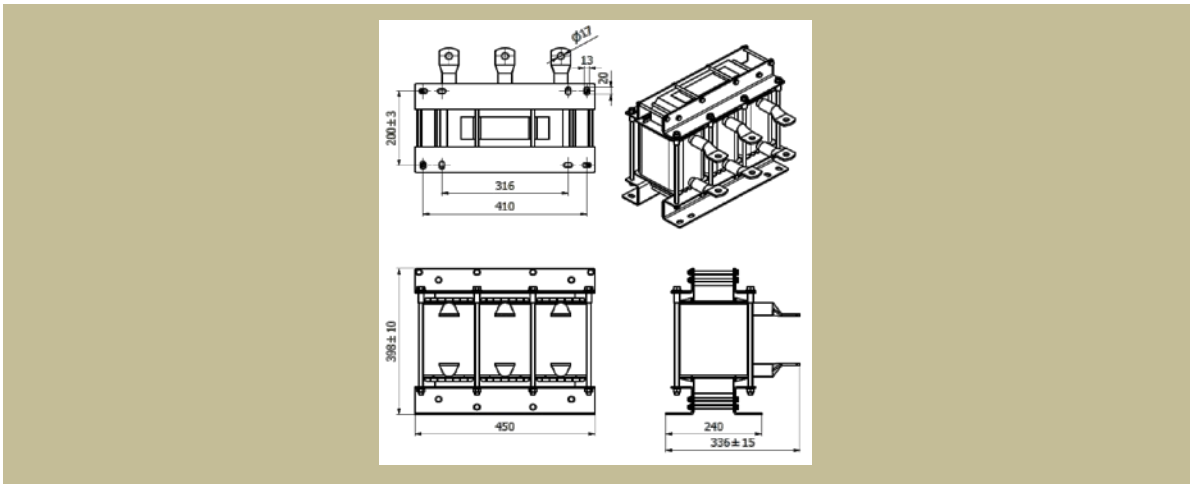
SKY3TL420-0,03B



SKY3TL700-0,019



SKY3TL700-0,036, SKY3TL710-0,05



Use:

They are used in applications on LV lines.

Dimensioning, wiring:

They are dimensioned according to the indicated label nominal voltage and current values. Short-circuit protection of the choke must not exceed nominal current value. When installing into switchboards it is necessary to count with power loss which depends on used application.