

## Choke. Type TZS

### series: FSE

#### Description:

Choke of FSE series is a sinusoidal passive LC filter with an interference suppression filter.

SKY3FSE12-16kHz



#### TECHNICAL PARAMETERS :

Nominal operating voltage	Un: 3x230/400 Vac
Extent of operating frequencies fn	Fn: 0-50 Hz
Extent of operating currents	In : 12 A
Spínací frekvence	16 kHz
Thermal class : F	
Protection class: IP20	
Extent of operating temperatures :	-40°C + 40°C

SKY3FSE12-16kHz-rev.1



#### TECHNICAL PARAMETERS :

Nominal operating voltage	Un: 3x230/400 Vac
Extent of operating frequencies fn	Fn: 0-50 Hz
Extent of operating currents	In : 12 A
Spínací frekvence	16 kHz
Thermal class : F	
Protection class: IP20	
Extent of operating temperatures :	-40°C + 40°C

SKY3FSE12-16kHz-rev.2



#### TECHNICAL PARAMETERS :

Nominal operating voltage	Un: 3x230/400 Vac
Extent of operating frequencies fn	Fn: 0-60 Hz
Extent of operating currents	In : 12 A
Spínací frekvence	16-20 kHz
Thermal class : F	
Protection class: IP20	
Extent of operating temperatures :	-40°C + 40°C

SKY3FSE12-16kHz-28T-BAT-rev3



#### TECHNICAL PARAMETERS :

Nominal operating voltage	Un: 3x230/400 Vac
Extent of operating frequencies fn	Fn: 0-60 Hz
Extent of operating currents	In : 12 A
Spínací frekvence	16-20 kHz
Thermal class : F	
Protection class: IP20	
Extent of operating temperatures :	-40°C + 40°C

SKY3FSE20-400-10kHz



#### TECHNICAL PARAMETERS :

Nominal operating voltage	Un: 3x230/400 Vac
Extent of operating frequencies fn	Fn: 0-50 Hz
Extent of operating currents	In : 20 A
Spínací frekvence	10 kHz
Thermal class : F	
Protection class: IP20	
Extent of operating temperatures :	-40°C + 50°C

SKY3FSE35-400-3kHz



**TECHNICAL PARAMETERS :**

Nominal operating voltage Un: 3x230/400 Vac  
 Extent of operating frequencies fn Fn: 0-50 Hz  
 Extent of operating currents In : 35 A  
 Spinaci frekvence 3-8 kHz  
 Thermal class : B/F  
 Protection class: IP00  
 Extent of operating temperatures : -40°C + 60°C

SKY3FSE25-400-16kHz

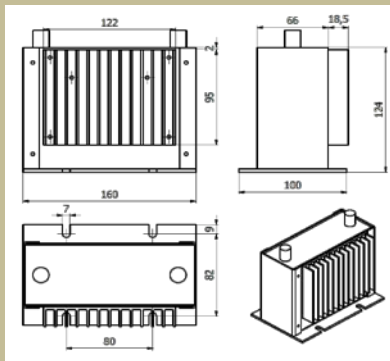


**TECHNICAL PARAMETERS :**

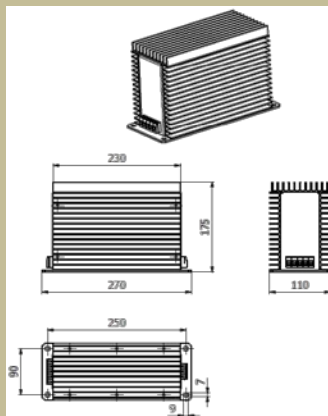
Nominal operating voltage Un: 3x230/400 Vac  
 Extent of operating frequencies fn Fn: 0-50 Hz  
 Extent of operating currents In : 25 A  
 Spinaci frekvence 16 kHz  
 Thermal class : B  
 Protection class: IP67  
 Extent of operating temperatures : -40°C + 50°C

Type	Nominal current [A]	Operating frequency [kHz]	Weight [kg]	Conductor cross section [mm <sup>2</sup> ]	basic dimensions [mm]					
					A	B	C	D	E	F
					length	height	width	pitch	pitch	other
SKY3FSE12-16kHz	12	16	4,5	4	160	124	100	80	82	7x9
SKY3FSE12-16kHz-rev.1	12	16	4,5	4	160	124	100	80	82	7x9
SKY3FSE12-16kHz-rev.2	12	16-20	4,5	4	160	124	100	80	82	7x9
SKY3FSE12-16kHz-28T-BAT-rev.3	12	16-20	4,5	4	160	124	100	80	82	7x9
SKY3FSE20-400-10kHz	20	10	9	4-6	270	175	110	250	90	7x9
SKY3FSE35-400-3kHz	35	3	28	oko 35x10	295	240	235	255	130	11x21
SKY3FSE25-400-16kHz	25	16	9	radox 6	330	125	135	305	110	9x13

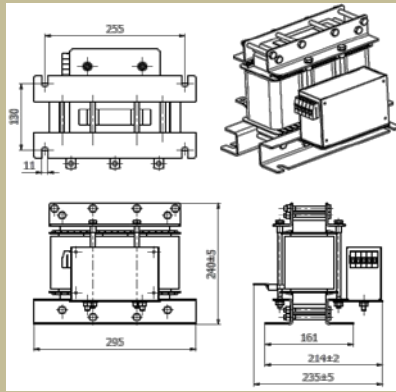
Dimensional drawing : SKY3FSE12-16kHz, SKY3FSE12-16kHz-rev.1, SKY3FSE12-16kHz-rev.2, SKY3FSE12-16kHz-28T-BAT-rev.3



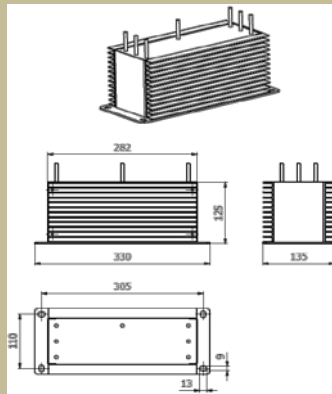
Dimensional drawing : SKY3FSE20-400-10kHz



**Dimensional drawing : SKY3FSE35-400-3kHz**



**Dimensional drawing : SKY3FSE25-400-16kHz**



**Dimensioning, wiring:**

It is dimensioned according to indicated label values. When installing into switchboards it is necessary to count with power loss of the filter and provide for removal of heat loss by the help of a suitably placed ventilator. It is also necessary to beware of setting of the switching frequency of the changer.

**Use:**

It is dimensioned according to the indicated label values. When installing into switchboards it is necessary to count with power loss of the filter and provide for removal of heat loss by the help of a suitably placed ventilator. It is also necessary to