

Single-phase choke, type TZS

series: TR

Description:

SKYTR100-1, SKYTR250-1 and SKYTR100-1T are single-phase storage chokes.



TECHNICAL PARAMETERS:

Extent of operating currents	In: 100 A
Inductance $\pm 10\%$	L: 750 μH
Protection class: IP00	



TECHNICAL PARAMETERS:

Extent of operating currents	In: 250 A
Inductance $\pm 10\%$	L: 900 μH
Protection class: IP00	



TECHNICAL PARAMETERS:

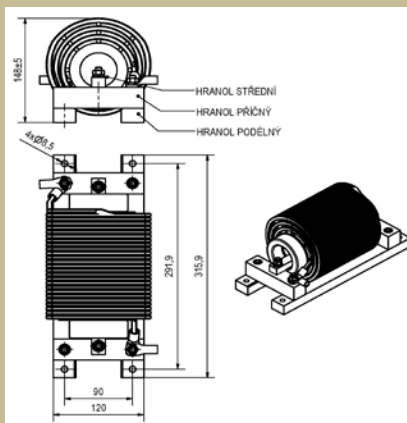
Extent of operating currents	In: 100 A
Inductance $\pm 10\%$	L: 750 μH
Protection class: IP00	

Type	Nominal current [A]	Inductance $\pm 10\%$ [μH]	Weight [kg]	Conductor cross section [mm ²]	basic dimensions [mm]					
					A	B	C	D	E	F
					length	height	width	pitch	pitch	other
SKYTR100-1	100	750	13,2	oko 50x10	315,9	148	120	291,9	90	Ø8,5
SKYTR250-1	250	900	17	oko 50x10	315	148	265	230	185	-
SKYTR100-1-T	100	750	13,1	oko 50x10	315,9	148	150	291,9	90	Ø8,5

* After a deal there is a possibility of modification of the filter construction according to the customer's request.

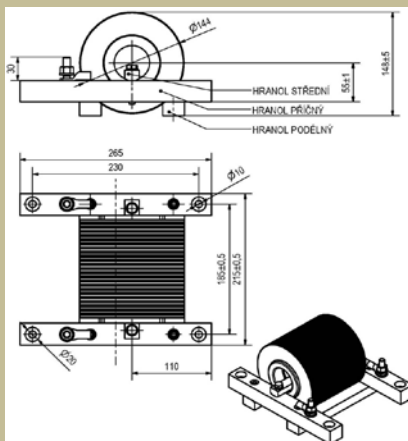
Dimensional drawing:

SKYTR100-1



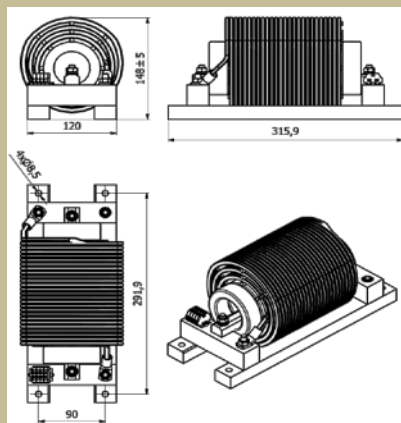
Dimensional drawing:

SKYTR250-1



Dimensional drawing:

SKYTR100-1-T



Use:

It is used as a storage choke of the converter. It is suited for traction purposes.

Dimensioning, wiring:

It is dimensioned according to the indicated label nominal voltage and current values. Short-circuit protection of the choke must not exceed nominal current value. When installing into switchboards it is necessary to count with power loss which depends on used application.