

## Choke. Type TZS

### series: TTL

#### Description:

Choke os TTL series are a combined three-phase choke.

SKY3TTL3,5-3



#### TECHNICAL PARAMETERS :

Nominal operating voltage	Un: 0-400 Vac
Extent of operating frequencies fn	Fn: 0-50 Hz
Extent of operating currents	In : 3,5 A
Thermal class : F	
Protection class: IP54	
Extent of operating temperatures :	-40°C + 40°C

SKY3TTL4-3



#### TECHNICAL PARAMETERS :

Nominal operating voltage	Un: 0-400 Vac
Extent of operating frequencies fn	Fn: 0-50 Hz
Extent of operating currents	In : 3,5 A
Thermal class : F	
Protection class: IP54	
Extent of operating temperatures :	-40°C + 40°C

SKY3TTL25-0,4



#### TECHNICKÉ PARAMETRY :

Nominal operating voltage	Un: 3x230/400 Vac
Extent of operating frequencies fn	Fn: 0-50 Hz
Extent of operating currents	In : 25 A
Thermal class : F	
Protection class: IP54	
Extent of operating temperatures :	0°C + 50°C

SKY3TTL25-0,4-29-30T-rev.2



#### TECHNICKÉ PARAMETRY :

Nominal operating voltage	Un: 3x230/400 Vac
Extent of operating frequencies fn	Fn: 0-50 Hz
Extent of operating currents	In : 25 A
Thermal class : F	
Protection class: IP54	
Extent of operating temperatures :	0°C + 50°C

SKY3TTL16-0,4-K



#### TECHNICKÉ PARAMETRY :

Nominal operating voltage	Un: 3x500 Vac
Extent of operating frequencies fn	Fn: 50 Hz
Extent of operating currents	In : 16 A
Thermal class : F	
Protection class: IP54	
Extent of operating temperatures :	0°C + 40°C

SKY3TTL16-0,4-K\_G01-rev.C

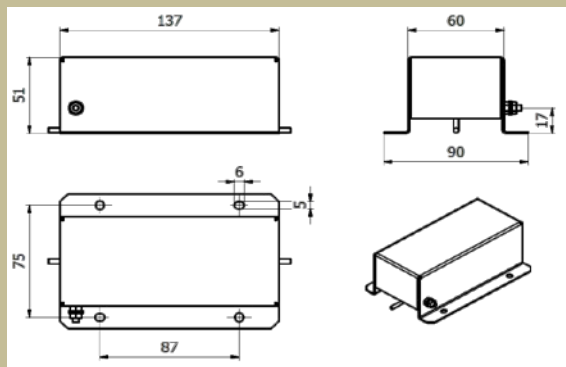


**TECHNICKÉ PARAMETRY :**

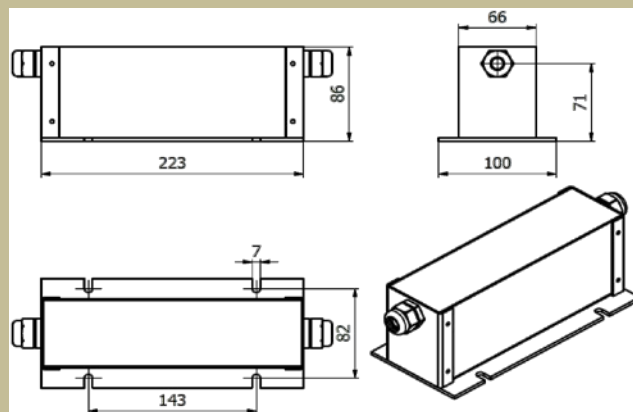
Nominal operating voltage Un: 3x500 Vac  
 Extent of operating frequencies fn Fn: 50 Hz  
 Extent of operating currents In : 16 A  
 Thermal class : F  
 Protection class: IP54  
 Extent of operating temperatures : 0°C + 40°C

Type	Nominal current [A]	Nominal inductance [mH]	Weight [kg]	Conductor cross section [mm 2]	basic dimensions [mm]					
					A	B	C	D	E	F
					length	height	width	pitch	pitch	other
SKY3TTL3,5-3	3,5	3	1,2	radox 1	137	51	90	87	75	5x6
SKY3TTL4-3	4	3	1,2	radox 1	137	51	90	87	75	5x6
SKY3TTL25-0,4	25	0,4	3,5	radox 4	223	86	100	143	82	7x12,5
SKY3TTL25-0,4-29-90T-rev.2	25	0,4	3,5	radox 4	223	86	100	143	82	7x12,5
SKY3TTL16-0,4-K	16	0,4	4,8	-	223	86	100	143	82	7x12,5
SKY3TTL16-0,4-K_G01-rev.C	16	0,4	4,8	-	223	89	100	143	82	7x12,5

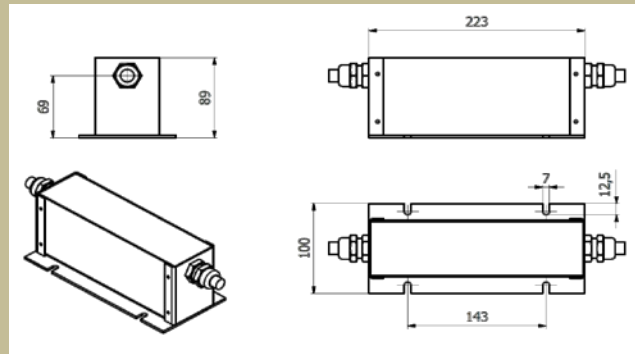
Dimensional drawing : SKY3TTL3,5-3, SKY3TTL4-3



Dimensional drawing : SKY3TTL25-0,4, SKY3TTL25-0,4-29-30T-rev.2, SKY3TTL16-0,4-K\_G03-rev.C



**Dimensional drawing : SKY3TTL16-0,4-K\_G01-rev.C**



**Dimensioning, wiring:**

It is dimensioned according to indicated label values. When installing into switchboards it is necessary to count with power loss of the filter and provide for removal of heat loss by the help of a suitably placed ventilator. It is also necessary to beware of setting of the switching frequency of the changer.

**Use:**

It is dimensioned according to the indicated label values. When installing into switchboards it is necessary to count with power loss of the filter and provide for removal of heat loss by the help of a suitably placed ventilator. It is also necessary to