

Single-phase choke, type TZS series: ZK

Description:

SKYZK25 are two single-phase chokes in one case.



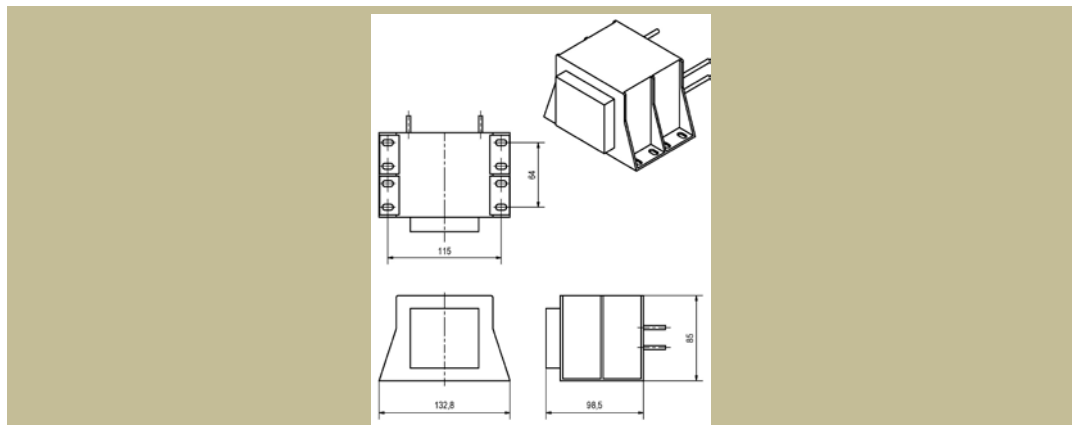
TECHNICAL PARAMETERS:

Extent of operating currents In: 25A
 Inductance $\pm 20\%$ L: 2x1 mH
 Protection class: IP54

Type	Nominal current [A]	Inductance $\pm 20\%$ [mH]	Weight [kg]	Conductor cross section [mm ²]	basic dimensions [mm]					
					A	B	C	D	E	F
					length	height	width	pitch	pitch	other
SKYZK25	25	2x1	2,3	2,5	132,8	85	98,5	115	64	-

* After a deal there is a possibility of modification of the filter construction according to the customer's request.

Dimensional drawing:



Use:

It is used on line side of single-phase frequency converters. It can be also used in exacting surroundings with vibrations.

Dimensioning, wiring:

It is dimensioned according to the indicated nominal voltage and current label values. Short-circuit protection must not exceed nominal current value.