

DC interference suppression filters

series: TZS

Description:

TZS series are interference suppression filters.

SKYFLDC32AB



TECHNICAL PARAMETERS :

Nominal operating voltage	Un : 750 Vdc
Extent of operating currents	In : 32 A
Protection class : IP54	
Extent of operating temperature : -30°C + 40°C	

SKYFLDC32A



TECHNICAL PARAMETERS :

Nominal operating voltage	Un : 750 Vdc
Extent of operating currents	In : 32 A
Protection class : IP54	
Extent of operating temperature : 0°C + 40°C	

SKYFLDC32A-rev.1



TECHNICAL PARAMETERS :

Nominal operating voltage	Un : 750 Vdc
Extent of operating currents	In : 32 A
Protection class : IP54	
Extent of operating temperature : 0°C + 40°C	

SKYFLDC80A



TECHNICAL PARAMETERS :

Nominal operating voltage	Un : 750 Vdc
Extent of operating currents	In : 80 A
Protection class : IP54	
Extent of operating temperature : 0°C + 40°C	

SKY1FLDC250B-P



TECHNICAL PARAMETERS :

Nominal operating voltage Un : 600 Vdc
 Extent of operating currents In : 250 A
 Protection class : IP00
 Extent of operating temperature : 0°C + 40°C

SKYFLDC250B-1P



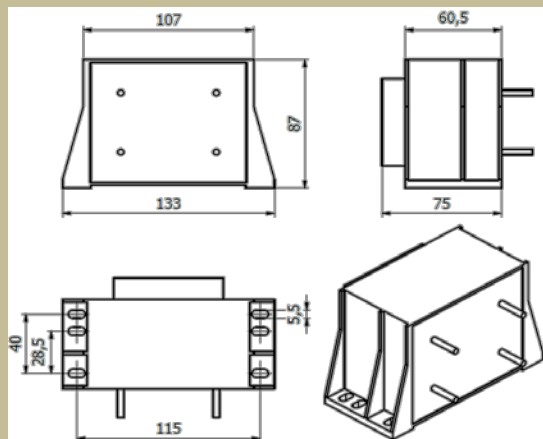
TECHNICAL PARAMETERS :

Nominal operating voltage Un : 700 Vdc
 Extent of operating currents In : 250 A
 Protection class : IP00
 Extent of operating temperature : 0°C + 40°C

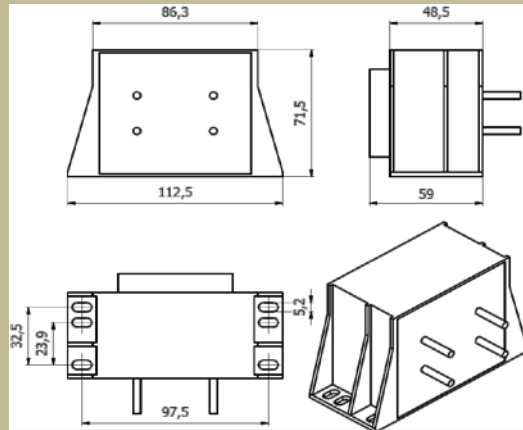
Type	Nominal current [A]	Power loss [W]	Weight [kg]	Conductor cross section [mm]	basic dimensions [mm]							
					A	B	C	D	E	F	G	H
					length	height	width	pitch	pitch	pitch	pitch	other
SKYFLDC32AB	32	15	1,2	radox 6	133	87	75	115	40	-	-	5,5x10,5
SKYFLDC32A	32	10	0,7	radox 6	112,5	71,5	59	97,5	32,5	-	-	5,2x10
SKYFLDC32A-rev.1	32	10	0,4	radox 16	112,5	71,5	59	97,5	32,5	-	-	5,2x10
SKYFLDC80A	80	30	0,7	radox 16	112,5	71,5	59	97,5	32,5	-	-	5,2x10
SKYFLDC250B-P	250	15	7	oko 150x12	250	205	102	230	60	-	-	9x14,5
SKYFLDC250B-1P	250	20	4,2	20x3 Ø9	357	61,5	176	302	114	333	87,5	9x16

* After a deal there is a possibility of modification of the filter construction according to the customer's request.

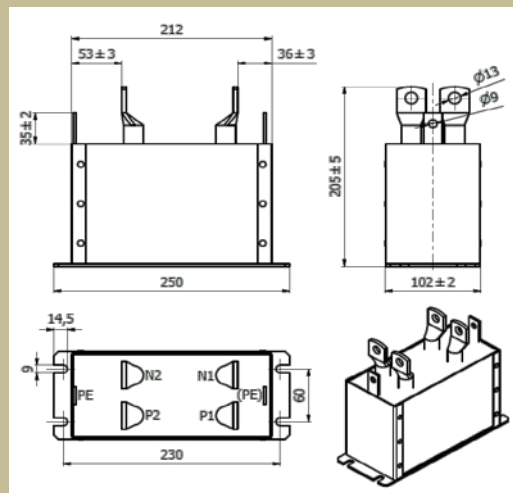
Dimensional drawing : SKY1FLDC32AB



Dimensional drawing : SKYFLDC32A, SKYFLDC32A-rev.1, SKYFLDC80A



Dimensional drawing : SKY1FLDC250B-P



Dimensional drawing : SKY1FLDC250B-1P

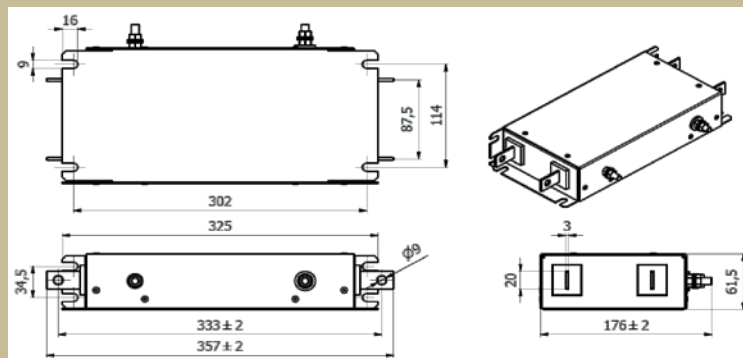
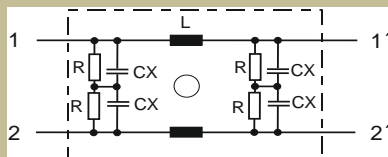
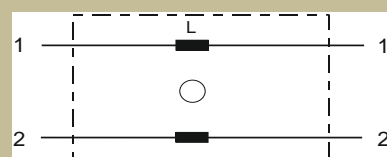


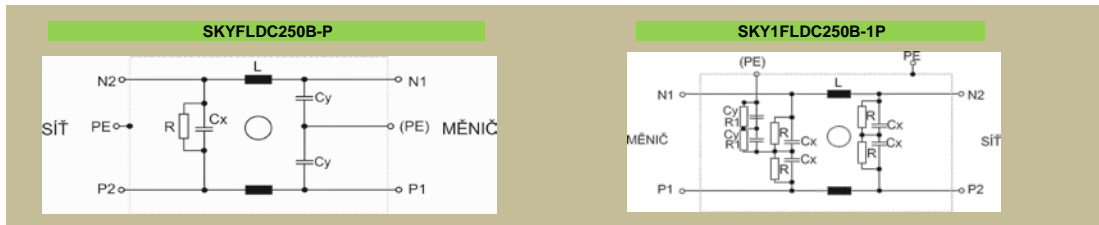
Diagram:

SKYFLDC32AB, SKYFLDC32Am SKYFLDC32A-rev.1



SKYFLDC80A





Use:

They are designed for customers application.

Dimensioning, wiring:

It is supposed to be wired into DC circuit. It is dimensioned according to indicated label values. When installing into switchboards it is necessary to count with power loss of the filter and provide removal of heat loss.

Výrobce si vyhrazuje právo na změnu specifikací a vzhledu produktů bez předchozího upozornění.