

DC chokes, type TZS

TDC series

Description and functions:

The choke is instrumental in DC current filtering in DC-link.

SKYTDC4-2-160kHz



TECHNICAL PARAMETERS :

Nominal operating voltage	Un : 1200 Vdc
Extent of operating currents	In : 4A
Thermal class : F	
Protection class : IP54	

SKYTDC7-2,5



TECHNICAL PARAMETERS :

Nominal operating voltage	Un : 320Vdc
Extent of operating currents	In : 7A
Thermal class : F	
Protection class : IP00	
Extent of operating temperature : -10°C + 40°C	

SKYTDC10-8,5



TECHNICAL PARAMETERS :

Nominal operating voltage	Un : 1200Vdc
Extent of operating currents	In : 10A
Thermal class : F	
Protection class : IP64	
Extent of operating temperature : -10°C + 40°C	

SKYTDC10-25



TECHNICAL PARAMETERS :

Nominal operating voltage	Un : 1200Vdc
Extent of operating currents	In : 10A
Thermal class : F	
Protection class : IP20	
Extent of operating temperature : -10°C + 40°C	

SKYTDC25-0,25



TECHNICAL PARAMETERS :

Nominal operating voltage Un : 1200Vdc
Extent of operating currents In : 25A
Thermal class : F
Protection class : IP64
Extent of operating temperature : -10°C + 40°C

SKYTDC250-0,2



TECHNICAL PARAMETERS :

Nominal operating voltage Un : 1200Vdc
Extent of operating currents In : 20A
Thermal class : F
Protection class : IP00
Extent of operating temperature : -10°C + 40°C

SKYTDC8-1,5-160kHz



TECHNICAL PARAMETERS :

Nominal operating voltage Un : 1200 Vdc
Extent of operating currents In : 8 A
Thermal class : F
Protection class : IP54

SKYTDC9-0,47-200kHz



TECHNICAL PARAMETERS :

Nominal operating voltage Un : 1200 Vdc
Extent of operating currents In : 9 A
Thermal class : F
Protection class : IP54

SKYTDC20-1-11,5kHz



TECHNICAL PARAMETERS :

Nominal operating voltage Un : 1200 Vdc
Extent of operating currents In : 20 A
Thermal class : F
Protection class : IP54

SKYTDC32-1-50kHz



TECHNICAL PARAMETERS :

Nominal operating voltage Un : 1200 Vdc
Extent of operating currents In : 32A
Thermal class : B
Protection class : IP54

SKYTDC32-1-50kHz-rev.4.1



TECHNICAL PARAMETERS :

Extent of operating currents In : 32 A
Thermal class : F
Protection class : IP00

SKYTDC35-0,03-160kHz



TECHNICAL PARAMETERS :

Nominal operating voltage Un : 1200 Vdc
Extent of operating currents In : 35 A
Thermal class : B
Protection class : IP54

SKYTDC80-0,018-80kHz



TECHNICAL PARAMETERS :

Nominal operating voltage Un : 1200 Vdc
Extent of operating currents In : 80 A
Thermal class : B
Protection class : IP54

SKYTDC115-0,15-20kHz



TECHNICAL PARAMETERS :

Nominal operating voltage Un : 1200 Vdc
Extent of operating currents In : 115 A
Thermal class : F
Protection class : IP00

SKYTDC120-0,6



TECHNICAL PARAMETERS :

Nominal operating voltage Un : 1200 Vdc
Extent of operating currents In : 120 A
Thermal class : F
Protection class : IP00

SKYTDC500-0,01-50kHz



TECHNICAL PARAMETERS :

Nominal operating voltage Un : 1200 Vdc
Extent of operating currents In : 500 A
Thermal class : F
Protection class : IP00

SKYTDC4-8-40kHz-rev.1



TECHNICAL PARAMETERS :

Nominal operating voltage Un : 1200 Vdc
Extent of operating currents In : 4 A
Thermal class : F
Protection class : IP00

SKYTDC260-0,05



TECHNICAL PARAMETERS :

Nominal operating voltage Un : 1200 Vdc
Extent of operating currents In : 260 A
Thermal class : H
Protection class : IP00

SKYTDC2-10



TECHNICAL PARAMETERS :

Extent of operating currents In : 2 A
Thermal class : F
Protection class : IP54

SKYTDC9-0,6-80kHz



TECHNICAL PARAMETERS :

Extent of operating currents In : 9 A
Thermal class : F
Protection class : IP54

SKYTDC50-1



TECHNICAL PARAMETERS :

Nominal operating voltage Un : 1200 Vdc
Extent of operating currents In : 50 A
Thermal class : F
Protection class : IP54

SKYTDC80-0,7



TECHNICAL PARAMETERS :

Extent of operating currents In : 80 A
Thermal class : F
Protection class : IP54

SKYTDC250-0,1-25kHz



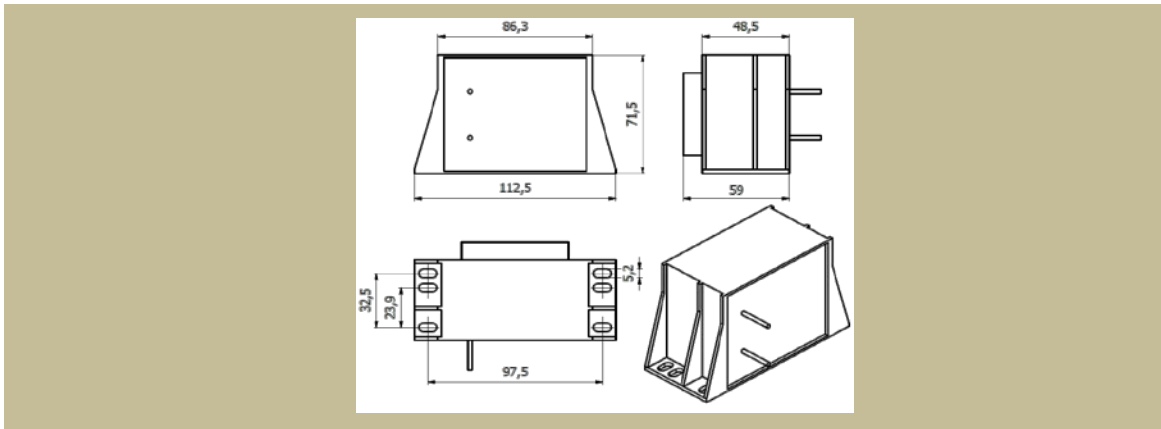
TECHNICAL PARAMETERS :

Extent of operating currents In : 250 A
Thermal class : F
Protection class : IP44

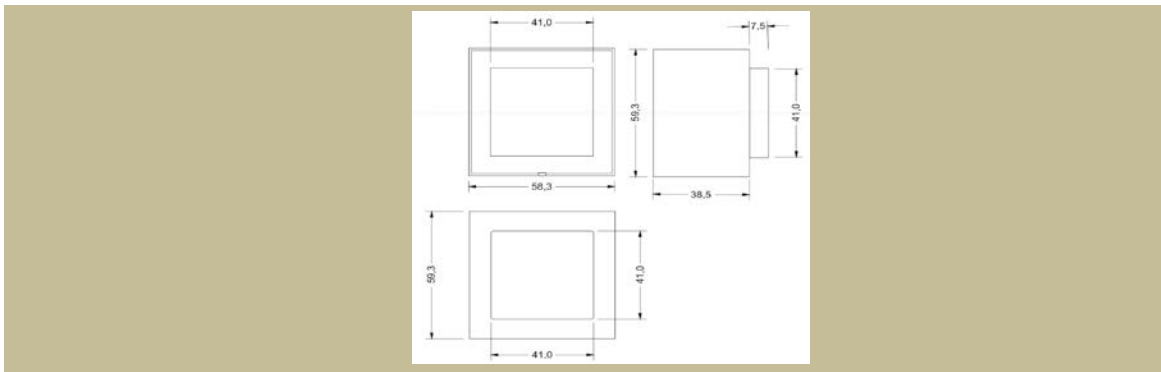
Type	Nominal current [A]	Nominal voltage [Vdc]	Weight [kg]	Conductor cross section [mm]	basic dimensions [mm]					
					A	B	C	D	E	H
					length	height	width	pitch	pitch	other
SKYTDC4-2-160kHz	4	1200	0,8	radox 1,5	112,5	71,5	59	97,5	32,5	5,2x10
SKYTDC7-2,5	7	320	0,5	Cu 0,8mm	59,3	46	58,3	-	-	-
SKYTDC10-8,5	10	1200	2	CSA 2,5mm	133	87	75	115	40	5,5x10,5
SKYTDC10-25	10	1200	5,8	svorkovnice	172	109	120	150	65	Ø8,5
SKYTDC25-0,25	25	1200	0,7	CSA 4mm	94	58,5	56,5	82	13,5	4,8x8,3
SKYTDC250-0,2	250	1200	12	oko 150x10	252	166	120	100	174	6x10
SKYTDC8-1,5-160kHz	8	1200	0,9	radox 1,5	112,5	71,5	59	97,5	32,5	5,2x10
SKYTDC9-0,47-200kHz	9	1200	0,6	radox 1,5	94	58,5	56,5	82	13,5	4,8x8,3
SKYTDC20-1-11,5kHz	20	1200	1,8	radox 2	133	87	75	115	40	5,5x10,5
SKYTDC32-1-50kHz	32	1200	5	radox 6	169	138	101	150	65	Ø7
SKYTDC32-1-50kHz-rev.1	32	-	5	radox 6	170	108	100	150	65	Ø7
SKYTDC35-0,03-160kHz	35	1200	1	radox 6	112,5	71,5	59	97,5	32,5	5,2x10
SKYTDC80-0,018-80kHz	80	1200	0,4	oko 10x6	Ø62,4	34,5	-	-	-	Ø5,1
SKYTDC115-0,15-20kHz	115	1200	7,8	oko 35x10	180	153	110	160	80	5,5-10,5
SKYTDC120-0,6	120	1200	18	oko 120x10	232	155	155	-	-	-
SKYTDC500-0,01-50kHz	500	1200	7	2x Ø6,5	172	109	174	150	85	Ø8,5
SKYTDC4-8-40kHz-rev.1	4	1200	0,7	radox 1,5	94	58,5	56,5	82	13,5	4,8x8,3
SKYTDC260-0,05	260	1200	17	oko 185x12	180	244	225	140	120	9x15
SKYTDC2-10	2	-	0,7	CSA 1,5	94	58,5	56,5	82	13,5	4,8x8,3
SKYTDC9-0,6-80kHz	9	-	1,8	radox 4	133	87	75	115	40	5,5x10,5
SKYTDC50-1	50	1200	6	CSA 10	172	109	109	150	65	Ø8,5
SKYTDC80-0,7	80	-	7,8	CSA 16	172	109	109	150	65	Ø8,5
SKYTDC250-0,1-25kHz	250	-	16	radox 50	310	125	133	190	113	7x9

* After a deal there is a possibility of modification of the filter construction according to the customer's request.

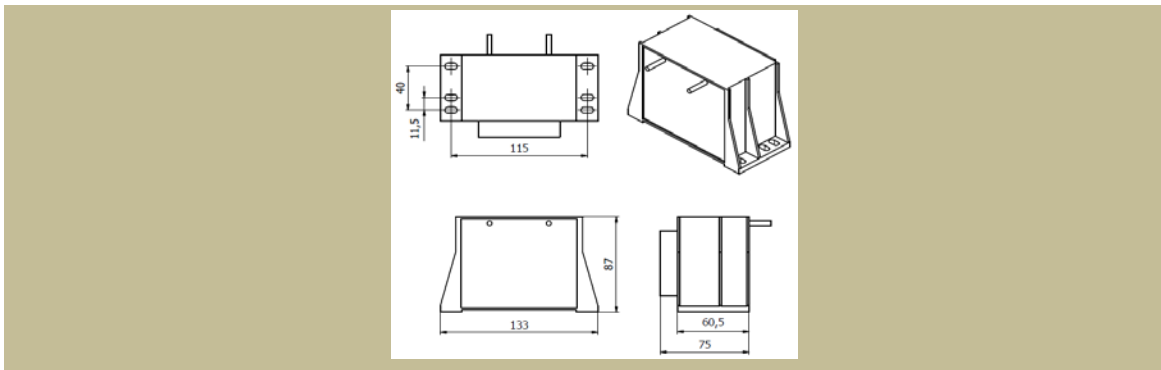
Dimensional drawing : SKYTDC4-2-160kHz



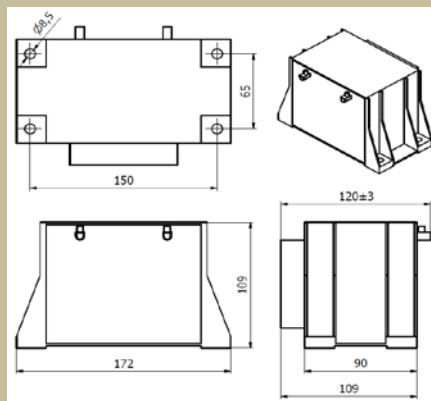
Dimensional drawing :: SKYTDC7-2,5



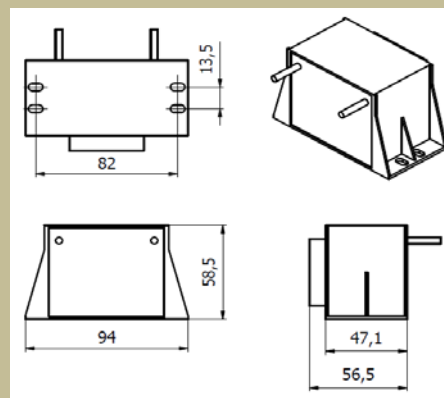
Dimensional drawing : SKYTDC10-8,5



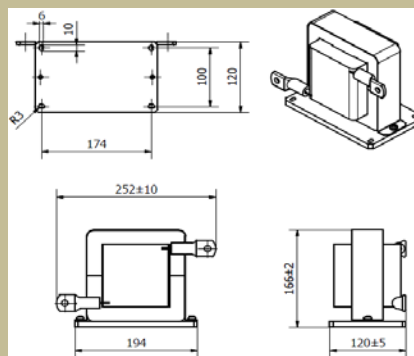
Dimensional drawing : SKYTDC10-25



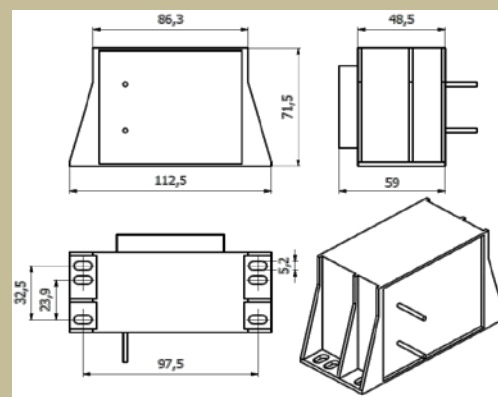
Dimensional drawing : SKYTDC25-0,25



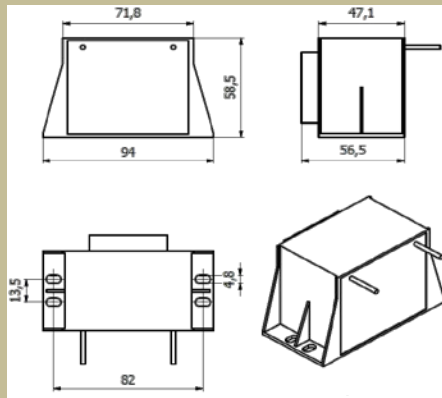
Dimensional drawing : SKYTDC250-0,2



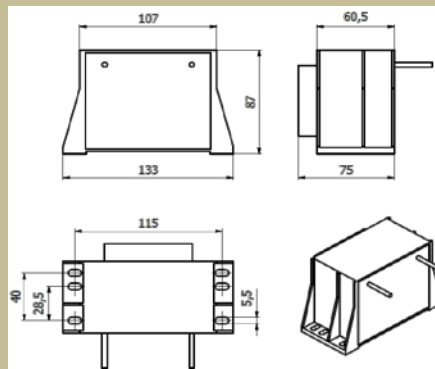
Dimensional drawing : SKYTDC8-1,5-160kHz



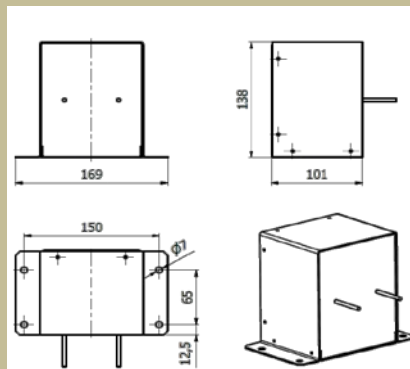
Dimensional drawing : SKYTDC9-0,47-200kHz



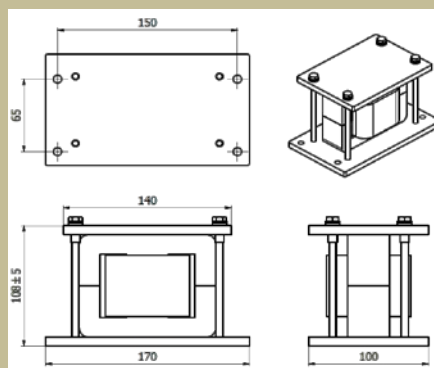
Dimensional drawing : SKYTDC20-1-11,5kHz



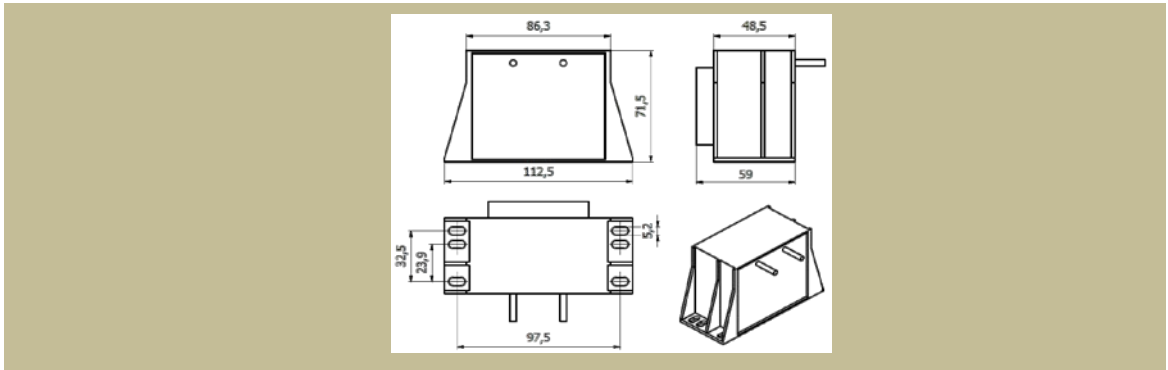
Dimensional drawing : SKYTDC32-1-50kHz



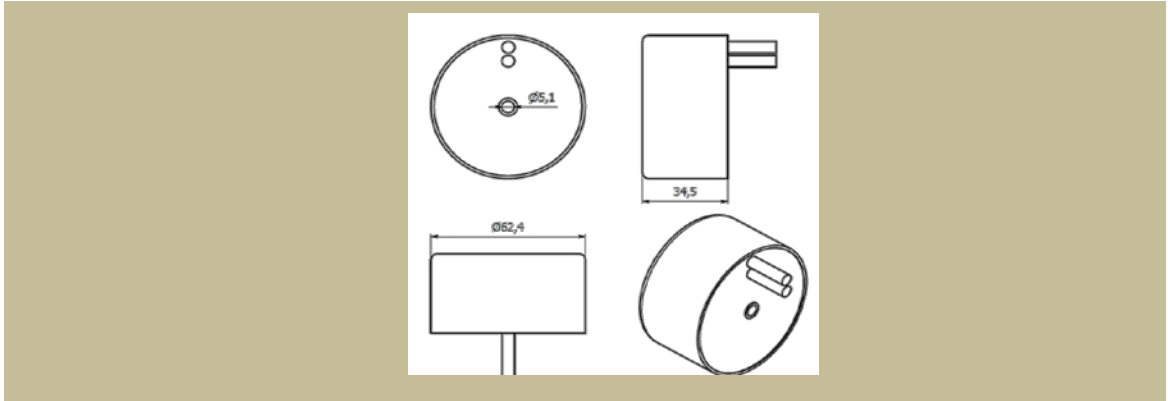
Dimensional drawing : SKYTDC32-1-50kHz-rev.4.1



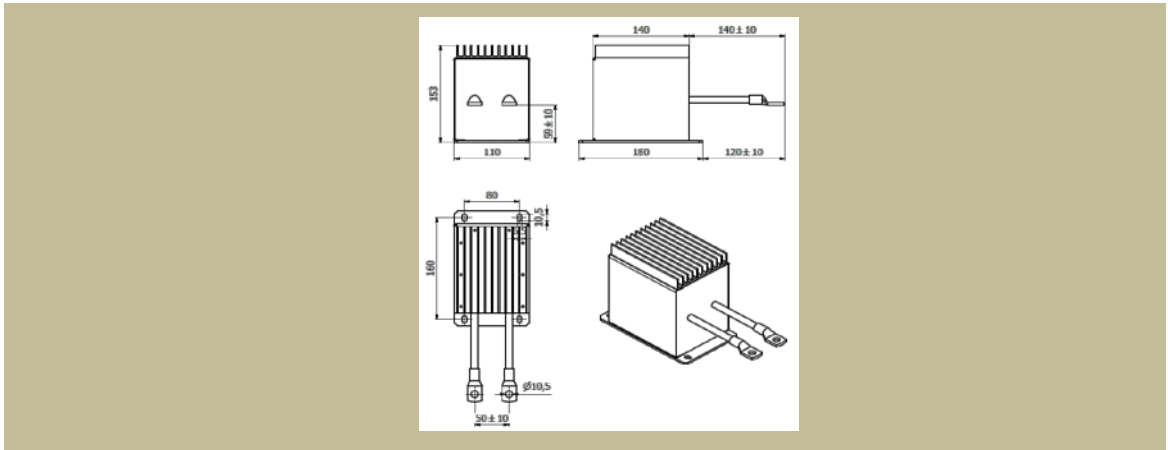
Dimensional drawing : SKYTDC35-0,03-160kHz



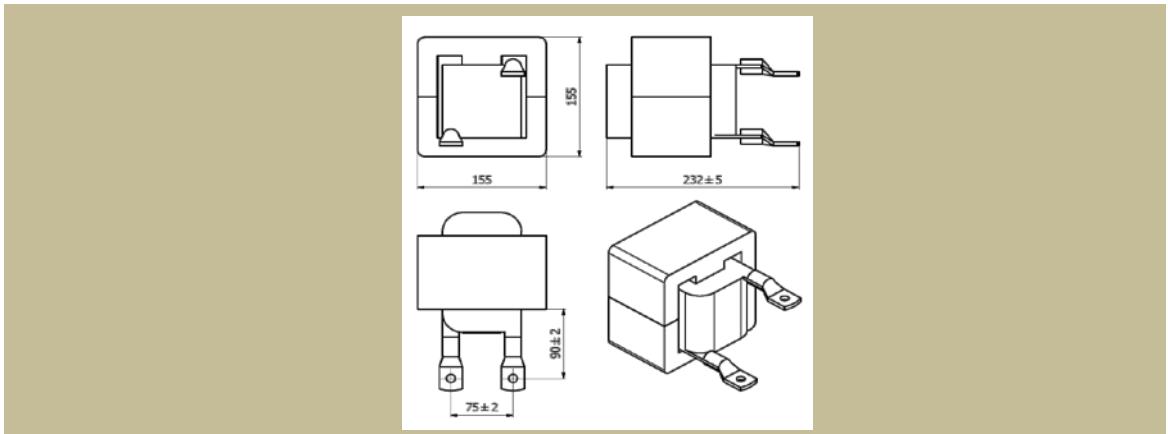
Dimensional drawing : SKYTDC80-0,018-80kHz



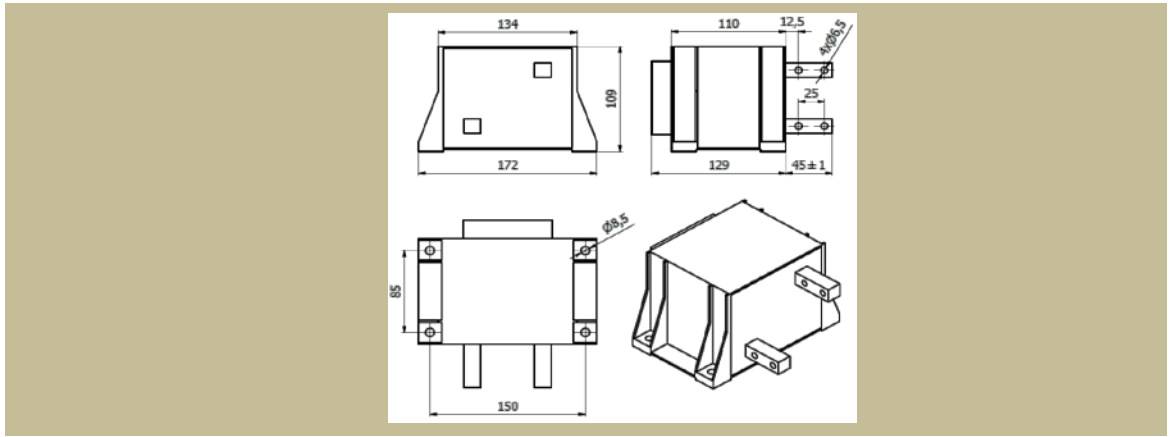
Dimensional drawing : SKYTDC115-0,15-20kHz



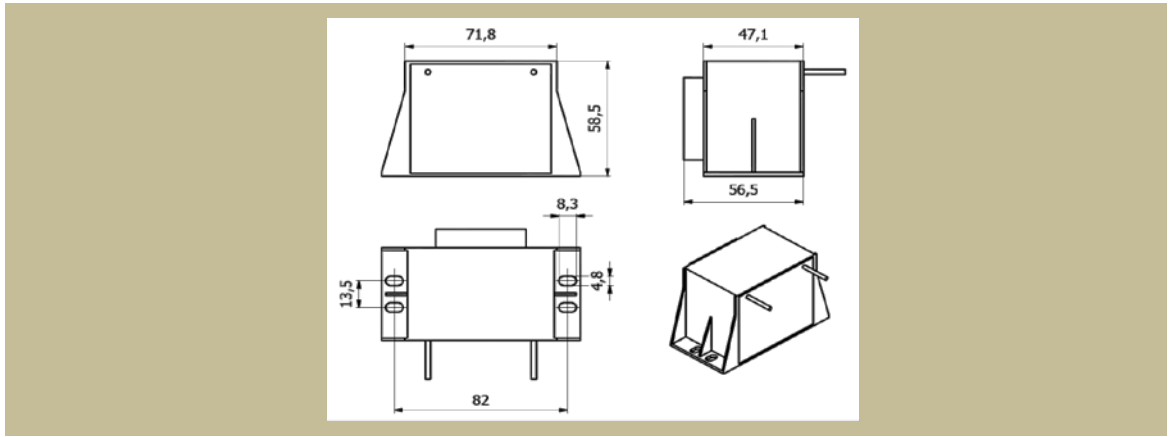
Dimensional drawing : SKYTDC120-0,6



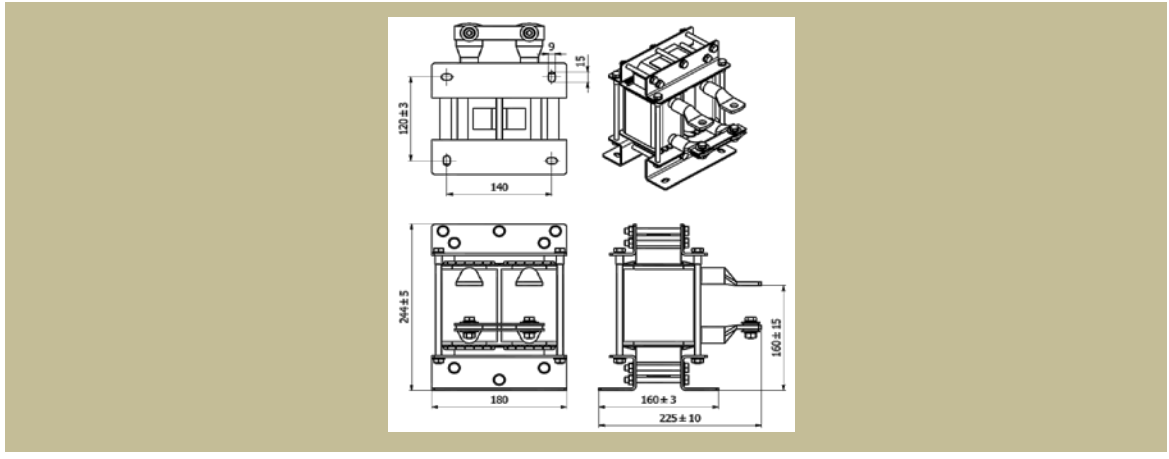
Dimensional drawing : SKYTDC500-0,01-50kHz



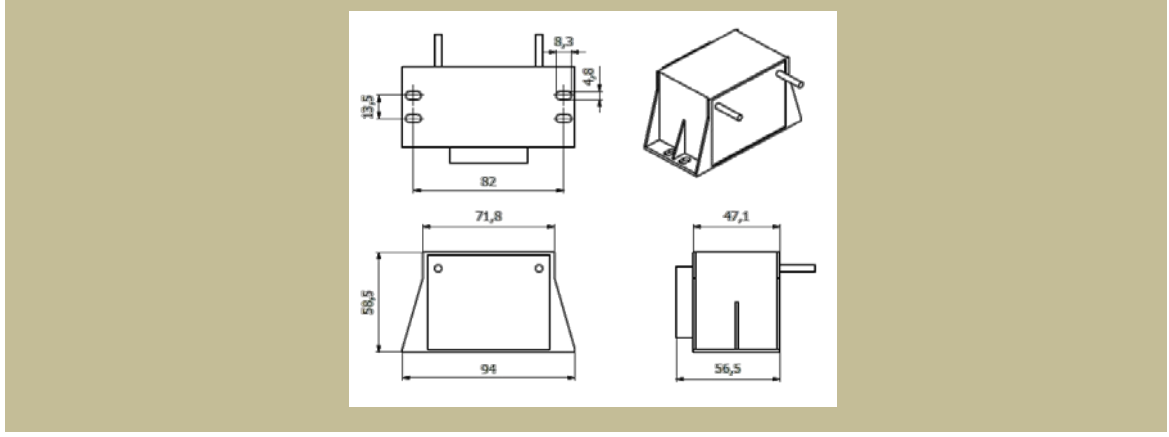
Dimensional drawing : SKYTDC4-8-40kHz-rev.1



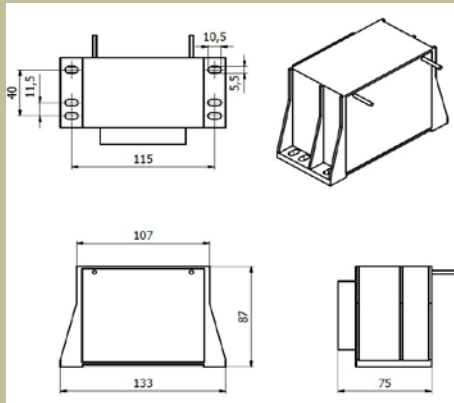
Dimensional drawing : SKYTDC260-0,05



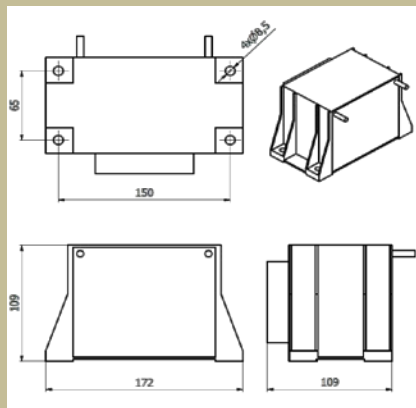
Dimensional drawing : SKYTDC2-10



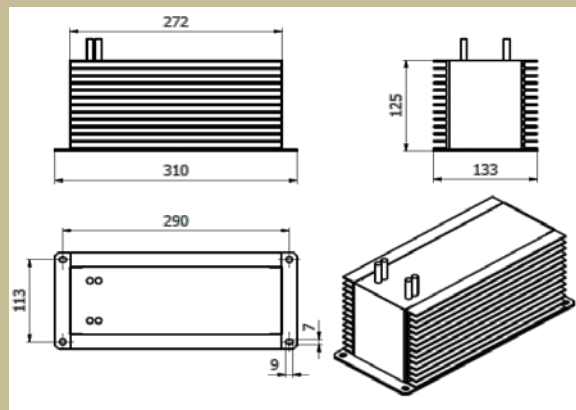
Dimensional drawing : SKYTDC9-0,6-80kHz



Dimensional drawing : SKYTDC50-1, SKYTDC80-0,7



Dimensional drawing : SKYTDC250-0,1-25kHz



Dimensioning, wiring:

They are dimensioned according to indicated label nominal voltage and current values. Short-circuit protection must not exceed nominal current value. When installing into switchboards it is necessary to count with power loss of the filters and provide for sufficient heat removal. When connecting it is necessary to meet the EMC requirements. There must not be any paralleling of interference-suppressed and non-interference-suppressed circuits. The grounding connections must be as short as possible and it is necessary to avoid any ground loops.

Use:

They are supposed to be wired into the DC-links of the converters.