

DC chokes, type TZS

TLDC series

Description and functions:

The choke is instrumental in DC current filtering in DC-link.



TECHNICAL PARAMETERS :

Nominal operating voltage	Un : 750Vdc
Extent of operating currents	In : 15A
Thermal class : F	
Protection class : IP00	
Extent of operating temperature : -10°C + 40°C	



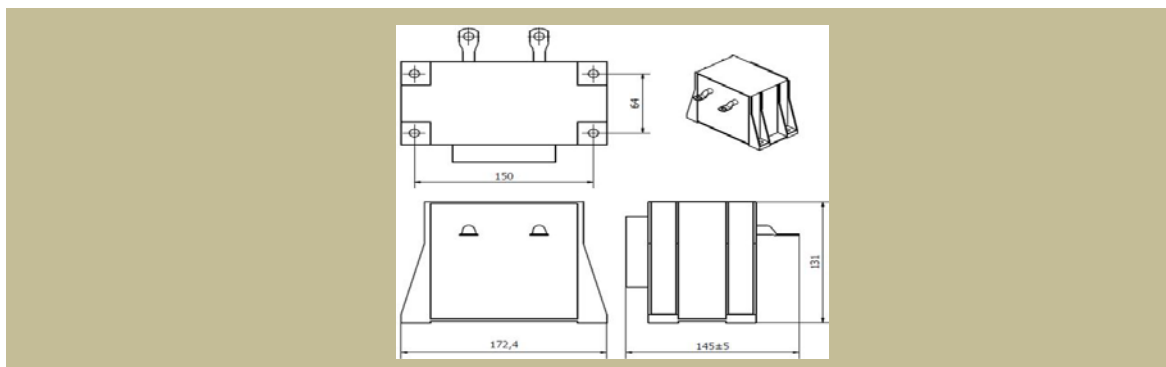
TECHNICKÉ PARAMETRY :

Extent of operating currents	In : 46 A
Thermal class : F	

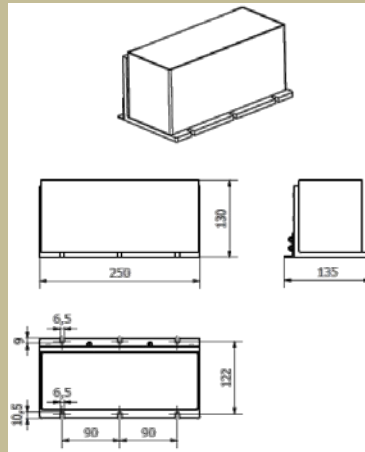
Type	Nominal current [A]	Nominal inductance [mH]	Weight [kg]	Conductor cross section [mm]	basic dimensions [mm]					
					A	B	C	D	E	H
					length	height	width	pitch	pitch	other
SKYTLDC15-3Tr	15	3	3,9	25x8	172,4	131	145	150	64	-
SKY3TLDC46-0,7	46	0,7	13							

* After a deal there is a possibility of modification of the filter construction according to the customer's request.

Dimensional drawing : SKYTLDC15-3Tr



Dimensional drawing : SKY3TLDC46-0,7



Dimensioning, wiring:

They are dimensioned according to indicated label nominal voltage and current values. Short-circuit protection must not exceed nominal current value. When installing into switchboards it is necessary to count with power loss of the filters and provide for sufficient heat removal. When connecting it is necessary to meet the EMC requirements. There must not be any paralleling of interference-suppressed and non-interference-suppressed circuits. The grounding connections must be as short as possible and it is necessary to avoid any ground loops.

Use:

They are supposed to be wired into the DC-links of the converters.

Výrobce si vyhrazuje právo na změnu specifikací a vzhledu produktů bez předchozího upozornění.