

Data interference suppression filter

Description:

Data interference suppression filter for input voltage up to 230 Vac.



TECHNICAL PARAMETERS:

Nominal operating voltage	Un : 230Vac
Extent of operating currents	In : 5x4A
Short-term overcurrent capacity: 50% In	
Protection class: IP00	
Extent of operating temperature: 0°C + 40°C	



TECHNICAL PARAMETERS:

Nominal operating voltage	Un : 230 Vac
Extent of operating currents	In : 10 A
Protection class: IP20	
Extent of operating temperature: 0°C + 40°C	



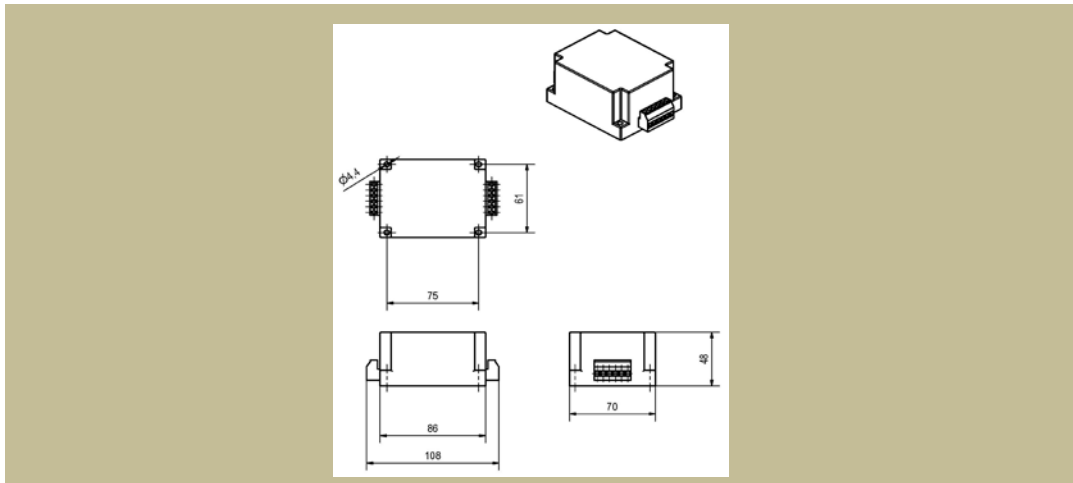
TECHNICAL PARAMETERS:

Nominal operating voltage	Un : 230 Vac
Extent of operating currents	In : 10 A
Protection class: IP20	
Extent of operating temperature: 0°C + 40°C	

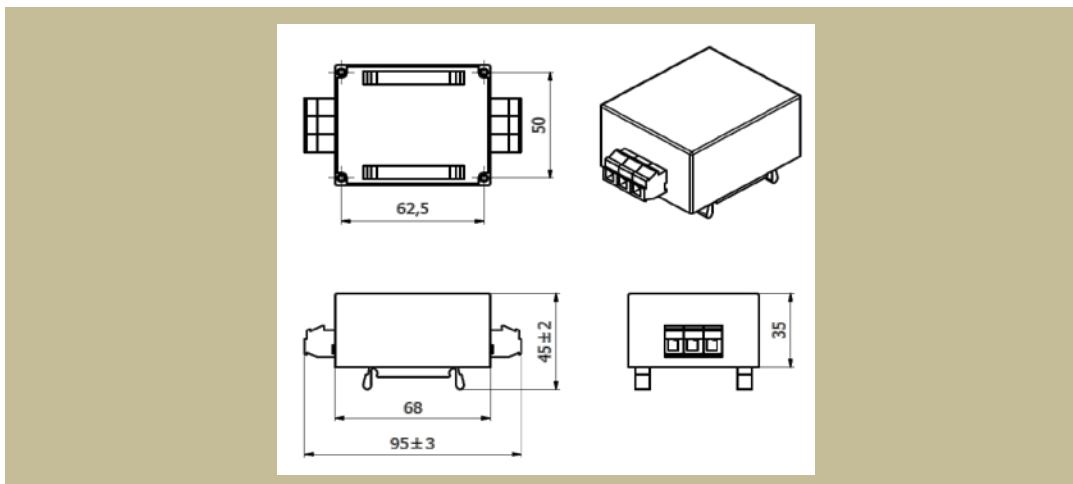
Type	Nominal current [A]	Power loss [W]	Weight [kg]	Conductor cross section [mm ²]	basic dimensions [mm]					
					length	height	width	pitch	pitch	other
SKY5FD4	5x4	3	0,6	2,5	108	48	70	75	61	-
SKY2FD-C	10	2	0,23	2,5	95	45	57	-	-	DIN lišta
SKYIFd10	10	2	0,13	2,5	69	47	69	-	-	DIN lišta

* After a deal there is a possibility of modification of the filter construction according to the customer's request.

Dimensional drawing: SKY5FD4 :



Dimensional drawing: SKY2FD-C :



Dimensional drawing: SKYIFd10 :

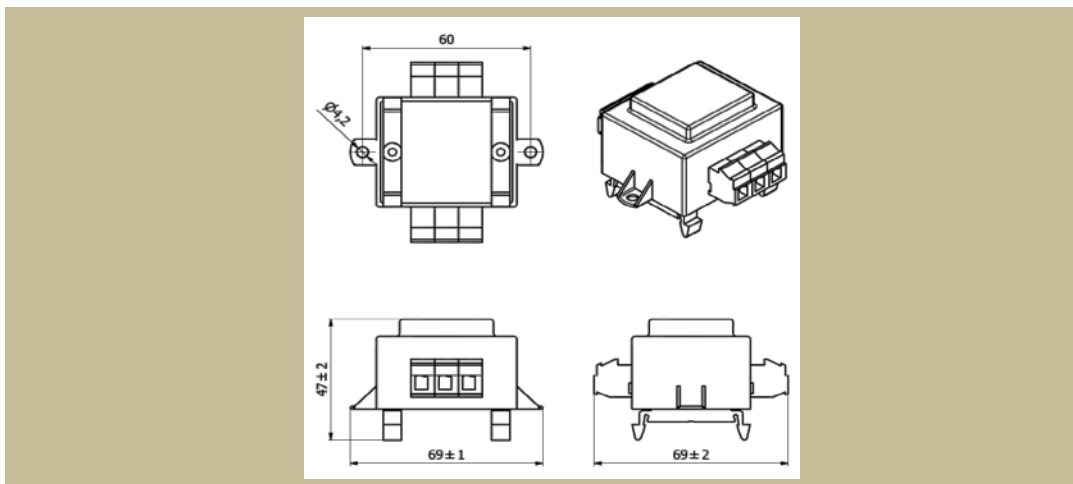
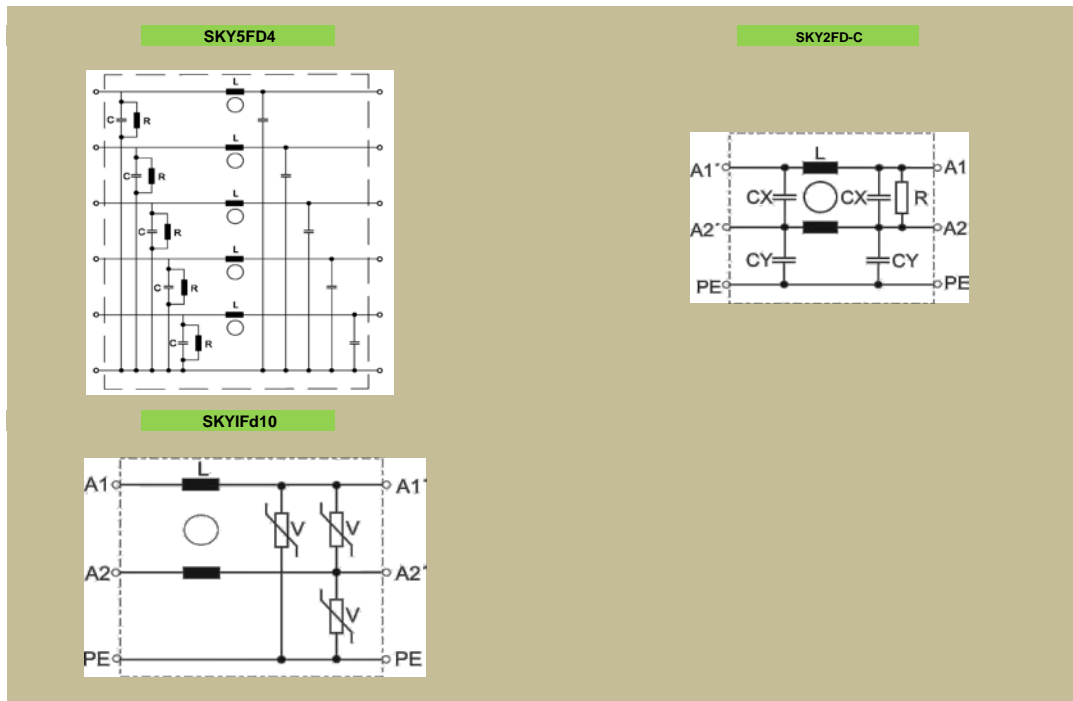


Diagram:



Dimensioning, wiring:

It is supposed to be wired into data circuit with maximum voltage up to 230Vac.

Use:

It is used for industrial applications.

Výrobce si vyhrazuje právo na změnu specifikací a vzhledu produktů bez předchozího upozornění.